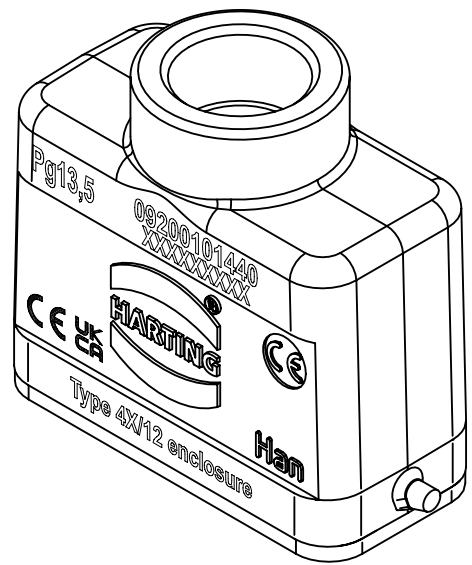
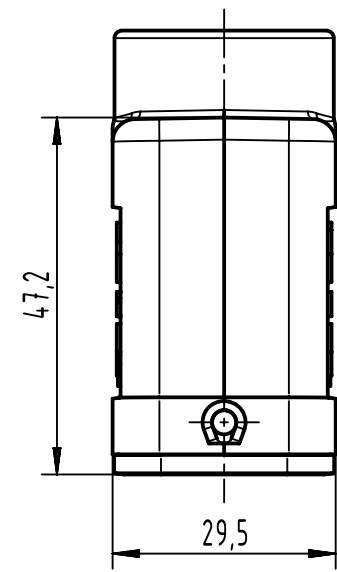
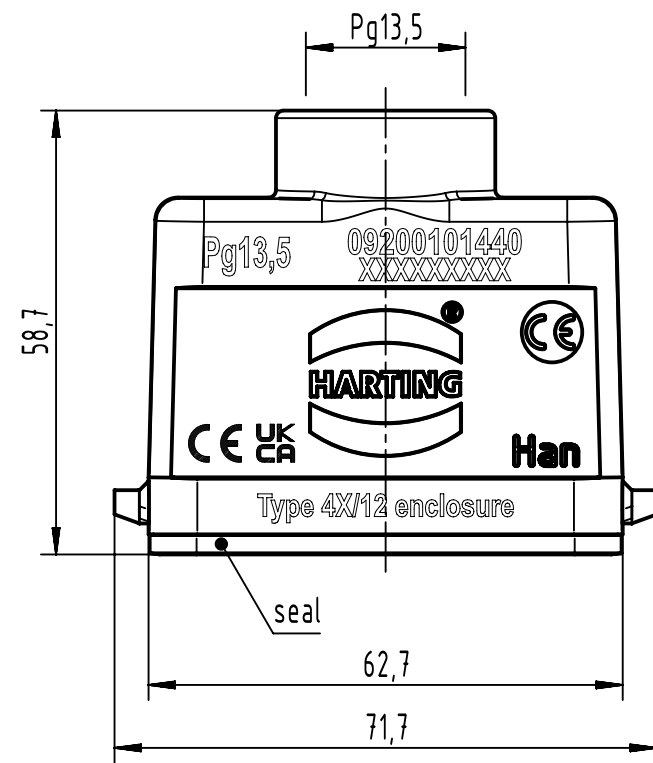


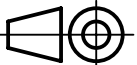

A

B

C

D



|  |                 |                |                 |                                     |               |
|--|-----------------|----------------|-----------------|-------------------------------------|---------------|
|  All Dimensions in mm<br>Original Size DIN A4 | Scale           | Free size tol. |                 |                                     | Ref.          |
|  | 1:1             |                |                 |                                     | Sub.          |
|  All rights reserved<br>Department EL PD      | Created by      | Inspected by   | Standardisation | Date                                | State         |
|  | HOLLERT         | GERB           |                 | 13-Mar-2025                         | 40 - Released |
| HARTING<br>D-32339 Espelkamp   | Title           |                |                 | Doc-Key / ECM-Nr.                   |               |
|  | Han 10A-GG-13,5 |                |                 | 100110630/UGD/005/D<br>500000252836 |               |
| Type   |                 | Number         |                 | Rev.                                | Page          |
| TB   |                 | 09200101440    |                 | D                                   | 1/1           |