

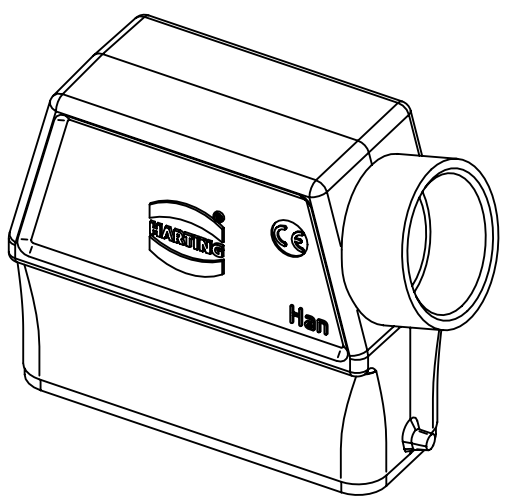
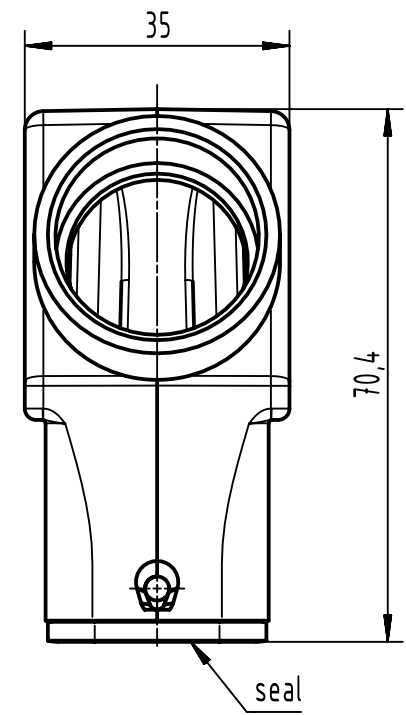
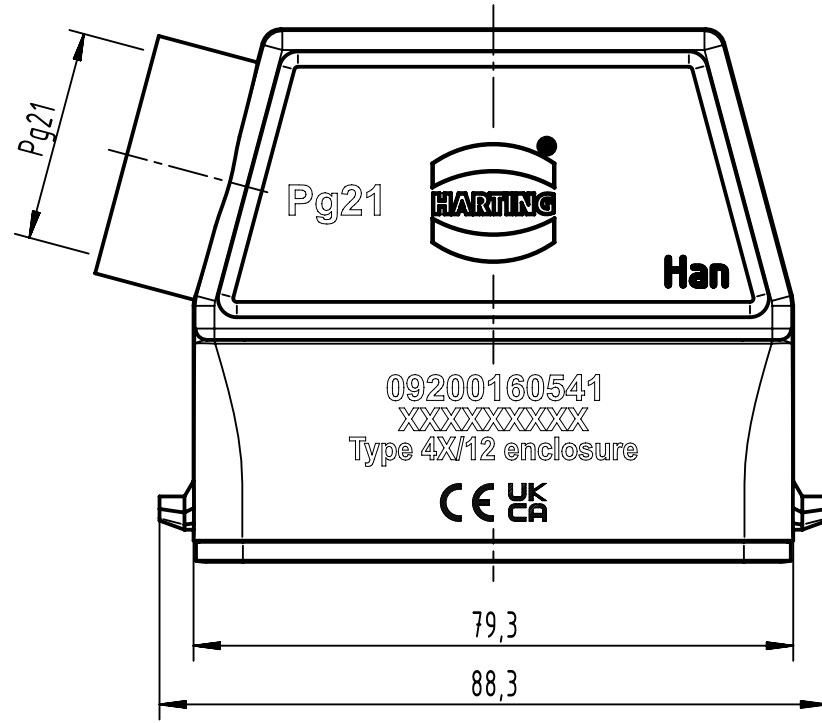
1 2 3 4 5 6

A

B

C

D



	All Dimensions in mm Original Size DIN A4		Scale 1:1	Free size tol.		Ref.		
						Sub.		
	All rights reserved		Created by HOLLERT	Inspected by GERB	Standardisation	Date 2023-09-06	State Approved	
	Department EL PD		Title Han A Hood Side Entry HC 2 Pegs PG 21				Doc-Key / ECM-Nr. 100189528/UGD/006/E 500000250698	
HARTING D-32339 Espelkamp			Type TB	Number 09 20 016 0541			Rev. E	Page 1/1