

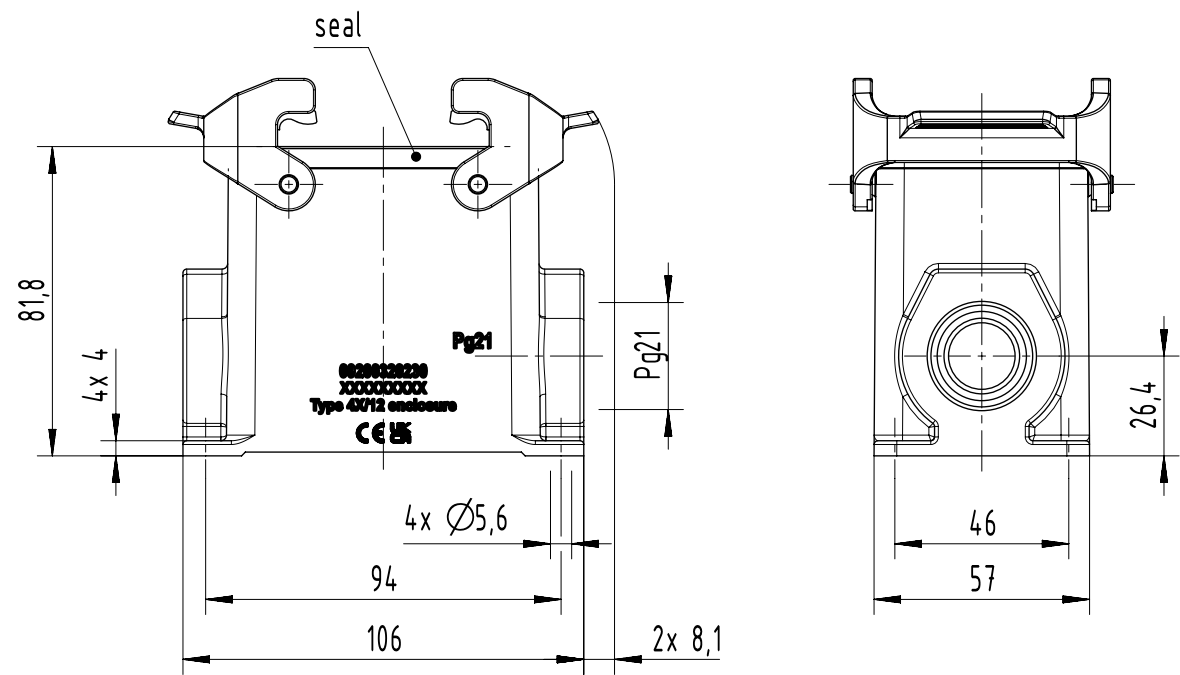
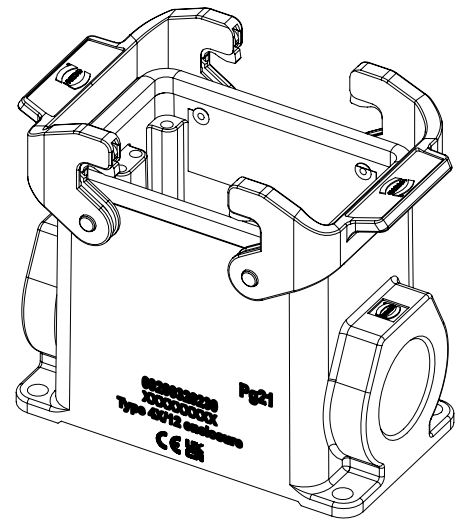
1 2 3 4 5 6

A

B

C

D



	All Dimensions in mm Original Size DIN A4		Scale 1:2	Free size tol.	Ref. Sub. TB 09 20 032 0230 v. 26.01.11		
		All rights reserved Department EL PD	Created by HOLLERT	Inspected by GERB	Standardisation	Date 21-Mar-2025	State 40 - Released
HARTING D-32339 Espelkamp		Title Han 32A-asg1-QB-21			Doc-Key / ECM-Nr. 100206242/UGD/004/C 500000253321		
		Type TB	Number 09200320230			Rev. C	Page 1/1