

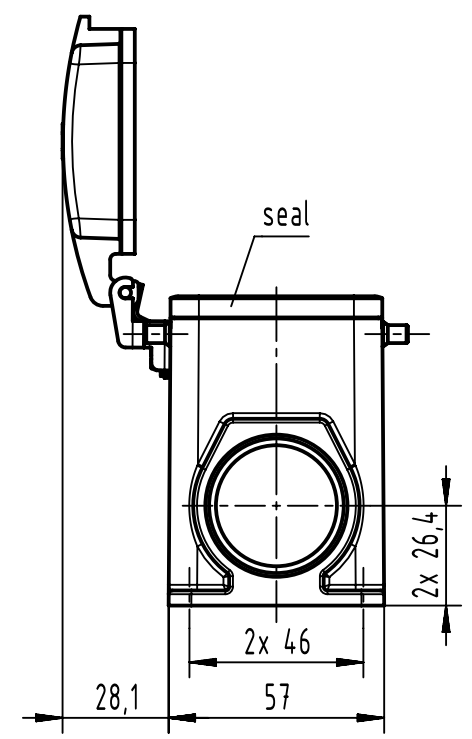
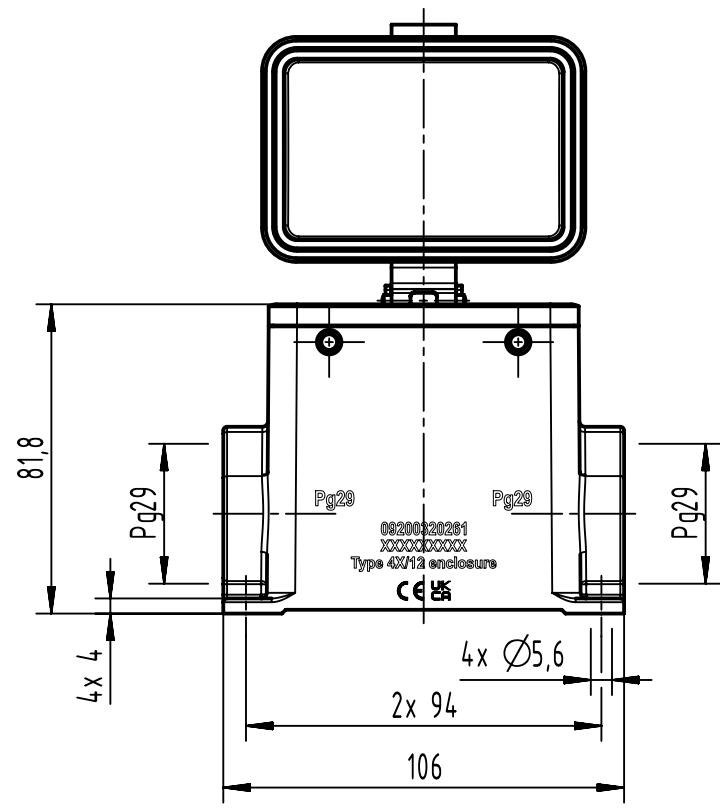
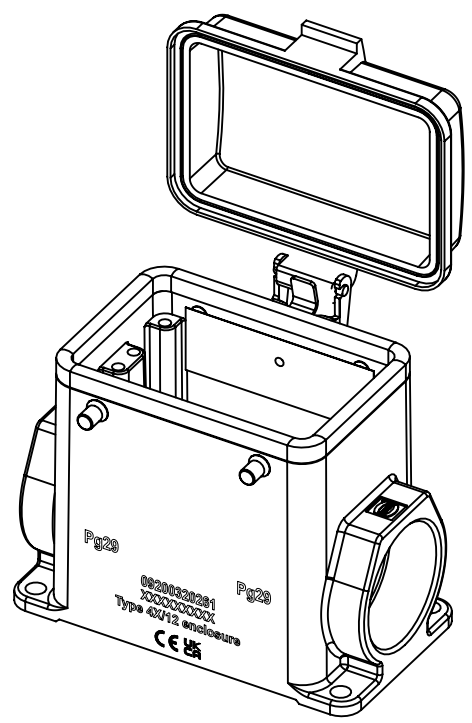
1 2 3 4 5 6

A

B

C

D



	All Dimensions in mm Original Size DIN A4		Scale 1:2	Free size tol.		Ref. Sub. TB 09 20 032 0261 v. 26.01.11	
		All rights reserved	Created by HOLLERT	Inspected by GERB	Standardisation	Date 2023-09-13	State Approved
Department EL PD		Title Han A Base Surface HC 4 Pegs Thermoplast					Doc-Key / ECM-Nr. 100206237/UGD/004/C 500000253322
HARTING D-32339 Espelkamp		Type TB	Number 09 20 032 0261			Rev. C	Page 1/1