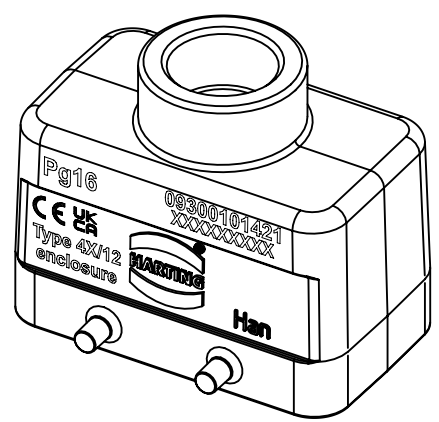
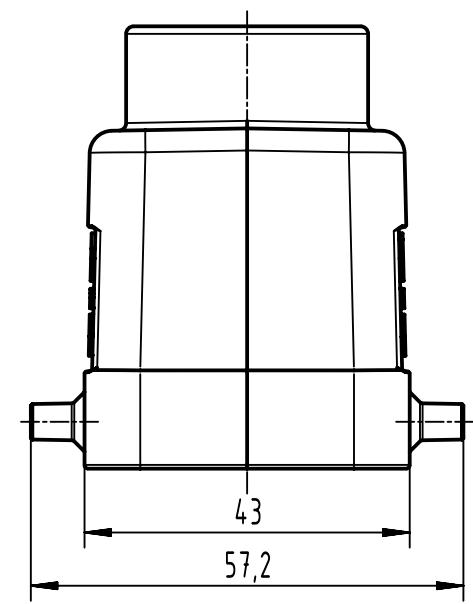
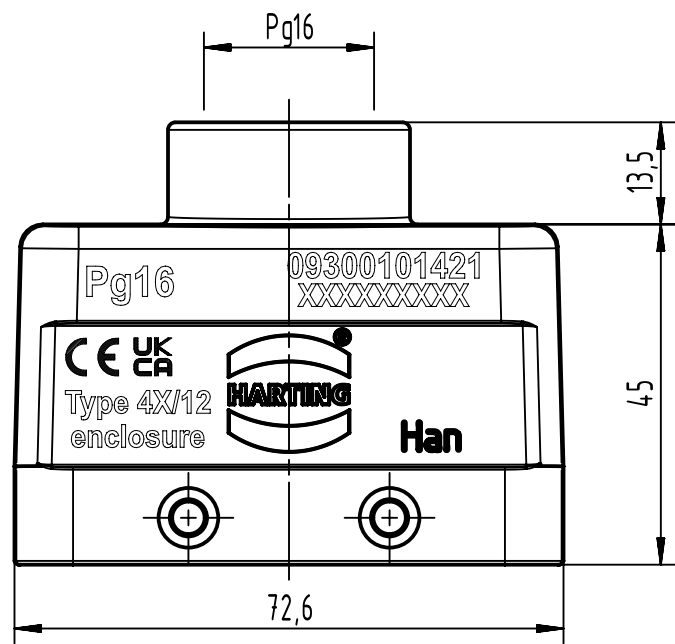


A

B

C

D



	All Dimensions in mm Original Size DIN A4		Scale 1:1	Free size tol.		Ref.	
						Sub.	
	All rights reserved		Created by spreenb	Inspected by gerb	Standardisation	Date 13-Oct-2025	State 40 - Released
	Department EL PD		Title Han B Hood Top Entry LC 4 Pegs PG 16				Doc-Key / ECM-Nr. DS00186521
HARTING D-32339 Espelkamp			Type TB	Design Number DS00186521	SAP Mat. Number 09300101421	Rev. G	Page 1/1