

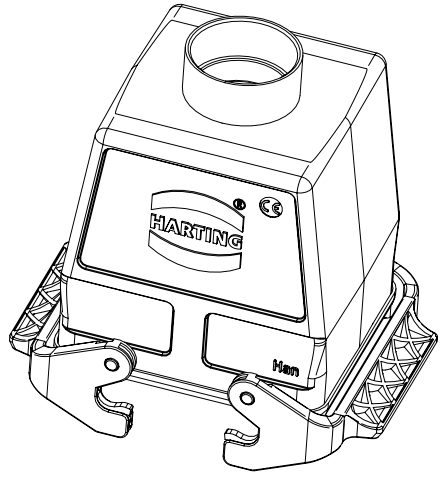
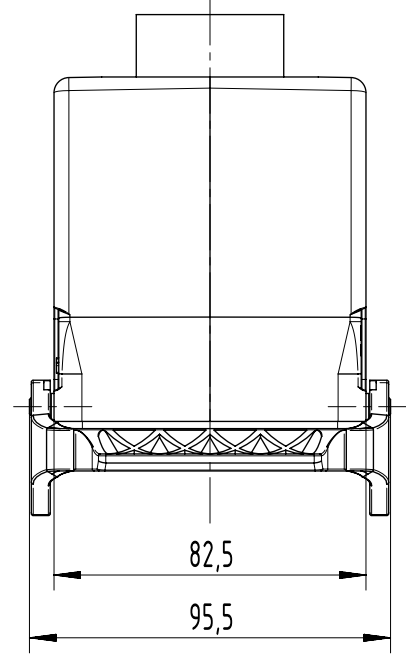
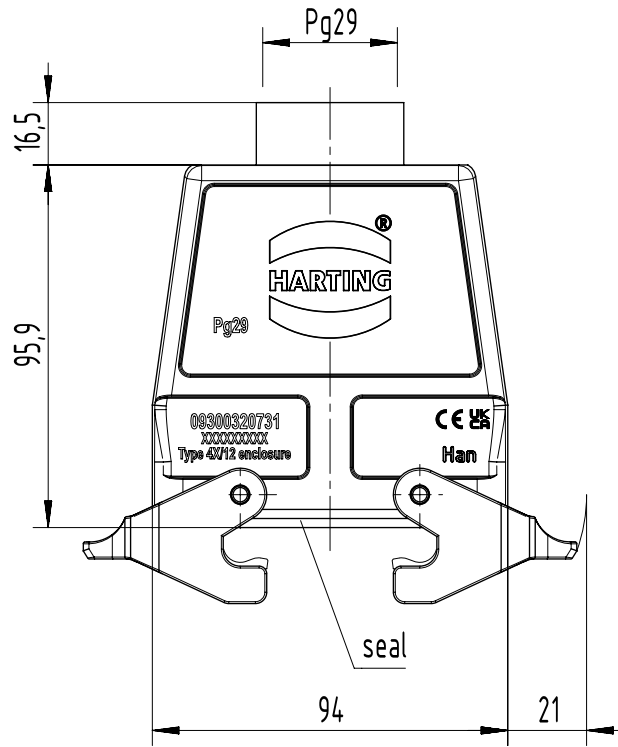
1 2 3 4 5 6

A

B

C

D



	All Dimensions in mm Original Size DIN A4	Scale 1:2		Free size tol.		Ref.	
						Sub.	
	All rights reserved Department EL PD	Created by moellerl	Inspected by gerb	Standardisation	Date 14-Apr-2025	State 40 - Released	
		Title Han 32B-HCC-DL-29					Doc-Key / ECM-Nr. DS00185638
HARTING D-32339 Espelkamp		Type TB	Design Number DS00185638	SAP Mat. Number 09300320731		Rev. G	Page 1/1