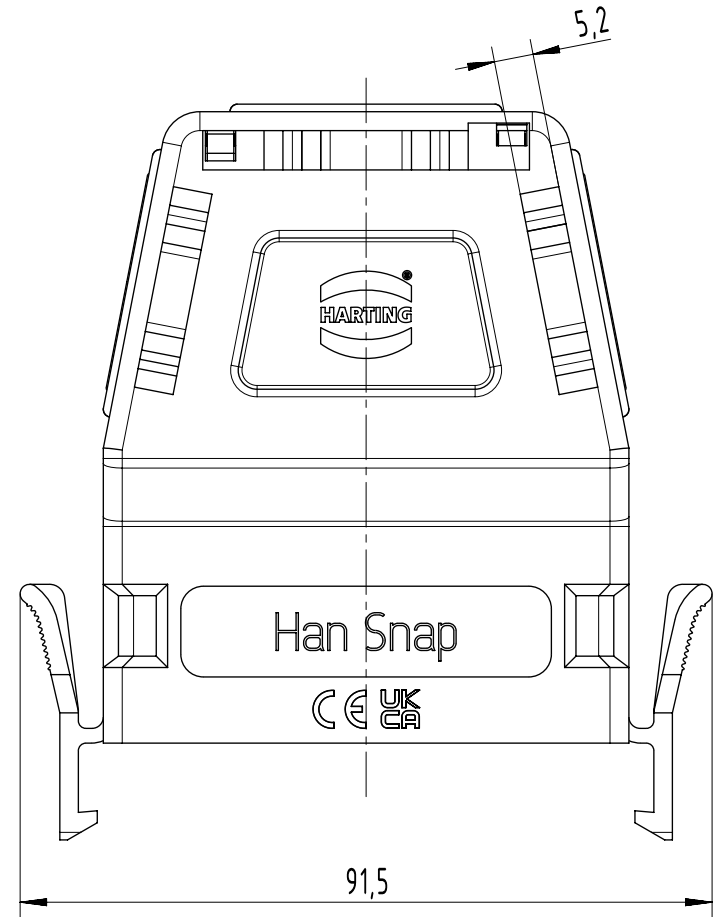
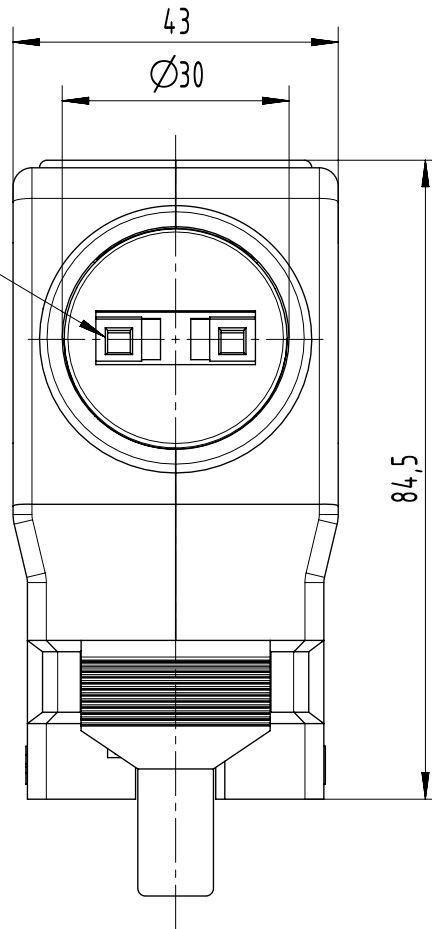
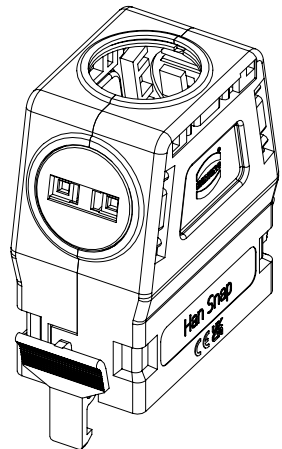


blanking piece with slots
for identification strip

HARTING - label 7x20
SIEMENS - label 9x20

2 blanking pieces belongs
to supply schedule

Usable for all inserts of the
series Han B



	All Dimensions in mm Original Size DIN A4		Scale 1:1	Free size tol.		Ref.		
						Sub.		
	All rights reserved Department EL PD		Created by spreenb	Inspected by sundermeier	Standardisation	Date 06-Mar-2025	State 40 - Released	
	HARTING D-32339 Espelkamp		Title Han Snap Plastic Housing Size 10B				Doc-Key / ECM-Nr. DS00179761	
			Type TB	Design Number DS00179761	SAP Mat. Number 09330100401	Rev. D	Page 1/1	