

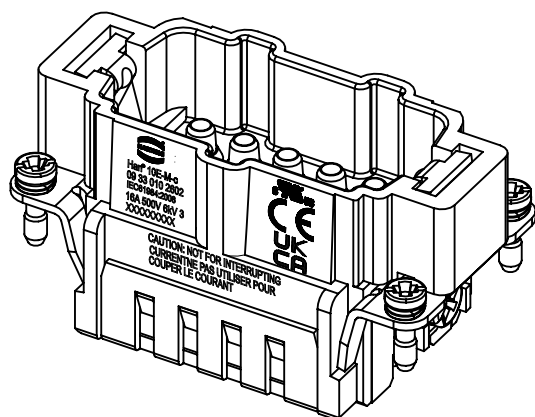
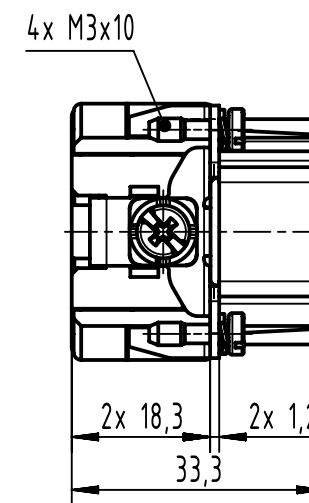
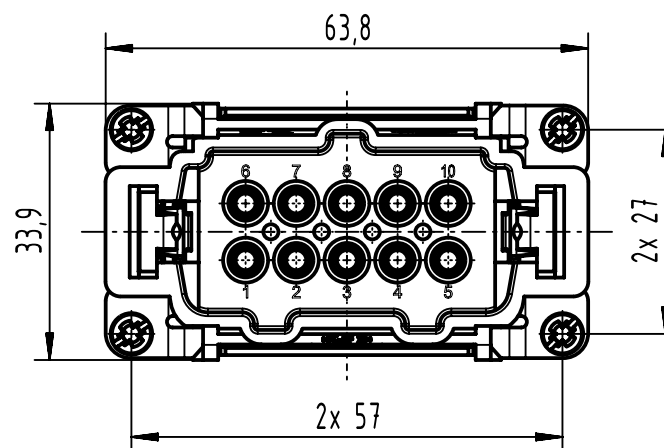
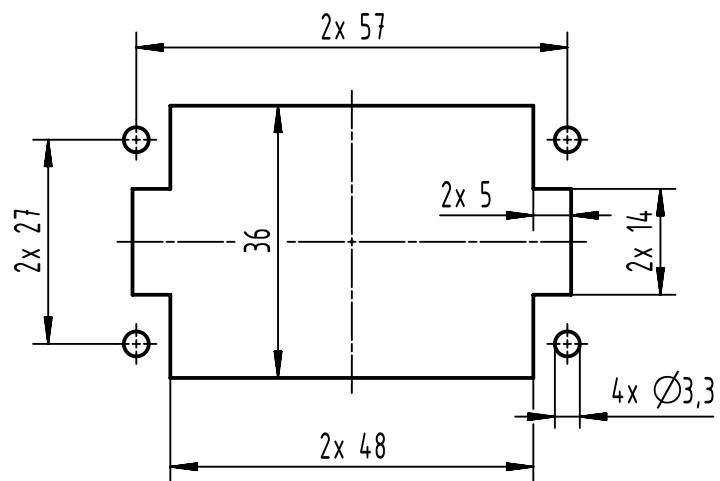
1 2 3 4 5 6

A

B

C

D



	All Dimensions in mm Original Size DIN A4		Scale 1:1	Free size tol.		Ref.	
						Sub.	
	All rights reserved		Created by 104701	Inspected by 100418	Standardisation schneider	Date 23-Jul-2025	State 40 - Released
	Department EL PD		Title Han 10E-M-c				Doc-Key / ECM-Nr. DS00182099
HARTING D-32339 Espelkamp			Type TB	Design Number DS00182099	SAP Mat. Number 09330102602	Rev. H	Page 1/1