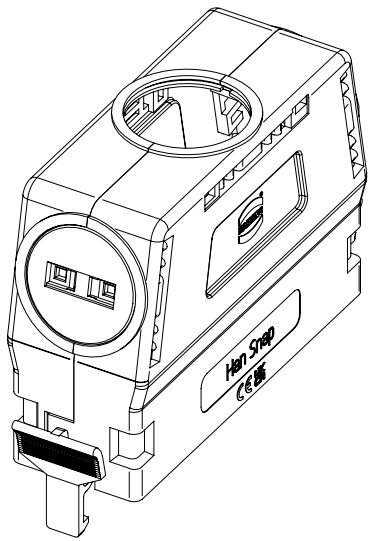


blanking piece with slots for identification strip

HARTING - label 7x20
SIEMENS - label 9x20

2 blanking pieces belongs to supply schedule

Usable for all inserts of the series Han B



	All Dimensions in mm Original Size DIN A4		Scale 1:1	Free size tol.	Ref.		
			Created by spreenb	Inspected by sundermeier	Standardisation	Date 06-Mar-2025	State 40 - Released
All rights reserved Department EL PD		Title Han Snap Shell Housing Size 24B				Doc-Key / ECM-Nr. DS00179772	
HARTING D-32339 Espelkamp		Type TB	Design Number DS00179772	SAP Mat. Number 09330240401	Rev. D	Page 1/1	