

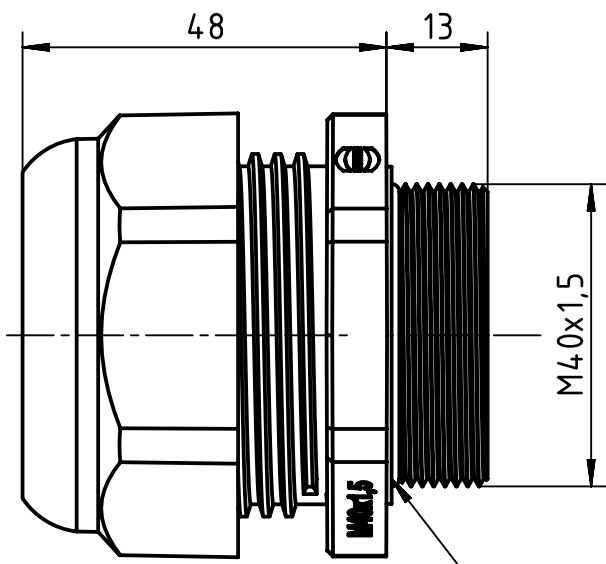
1 2 3 4 5 6

A

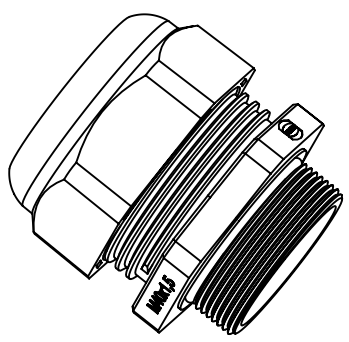
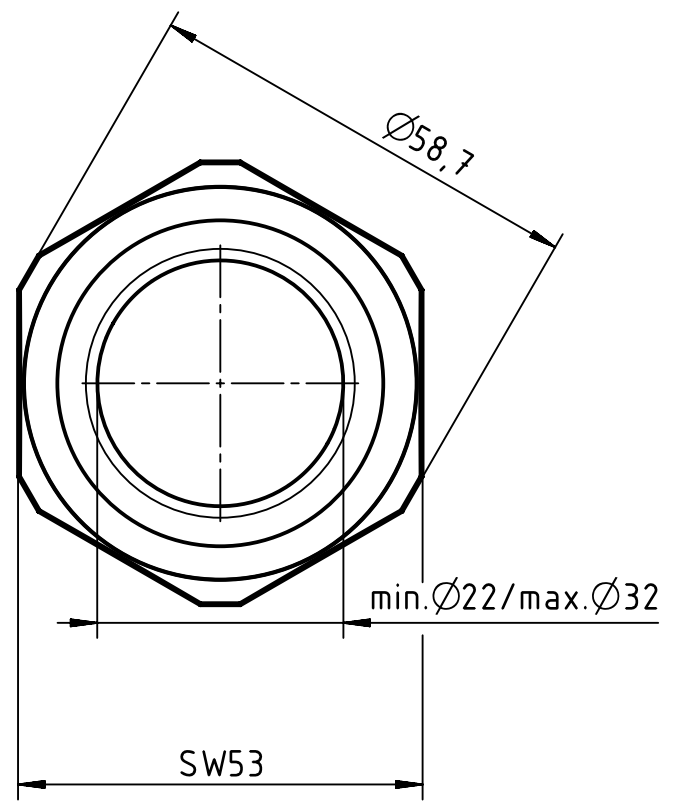
B

C

D



O-Ring included



	All Dimensions in mm Original Size DIN A4		Scale 1:1	Free size tol.		Ref.	
						Sub.	
	All rights reserved		Created by 408997	Inspected by 404742	Standardisation	Date 11-Sep-2025	State 40 - Released
	Department EL PD		Title Han CGM-P M40x1,5 D. 22-32mm black				Doc-Key / ECM-Nr. DS00198136
HARTING D-32339 Espelkamp			Type TB	Design Number DS00198136	SAP Mat. Number 19000005189	Rev. C	Page 1/1