

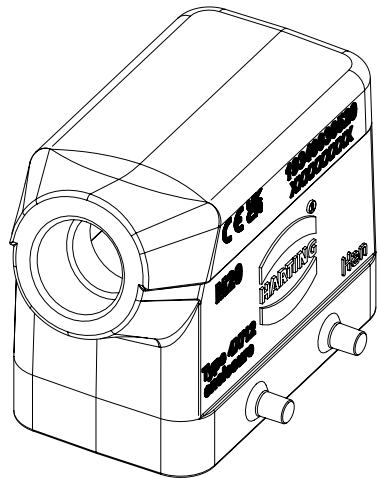
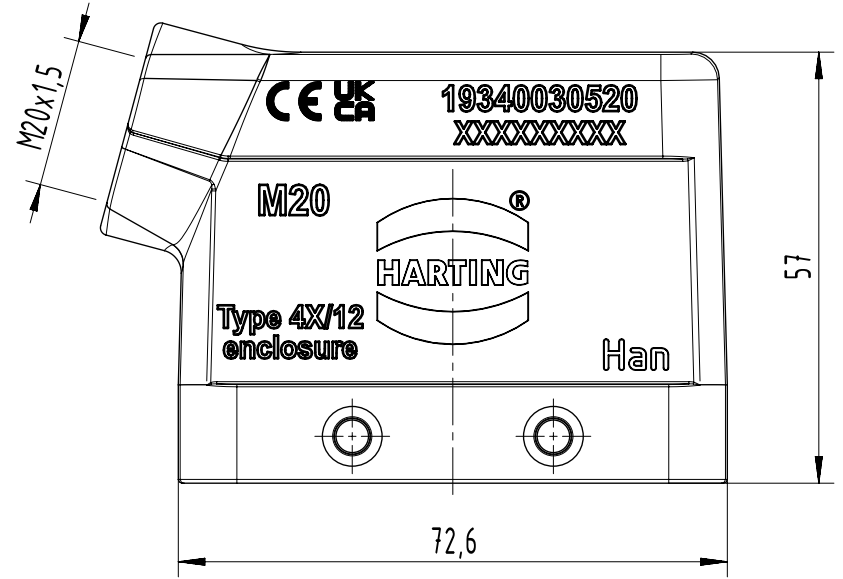
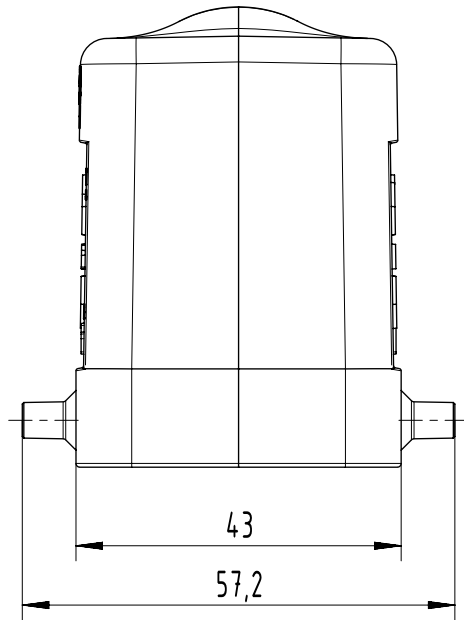
1 2 3 4 5 6

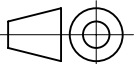

A

B

C

D



 All Dimensions in mm Original Size DIN A4	Scale	Free size tol.			Ref.
	1:1				Sub.
 All rights reserved Department EL PD	Created by	Inspected by	Standardisation	Date	State
	spreenb	gerb		25-Feb-2025	40 - Released
HARTING D-32339 Espelkamp	Title				Doc-Key / ECM-Nr.
	Han 3HvE-gs-M20				DS00187378
Type	Design Number	SAP Mat. Number	Rev.	Page	
TB	DS00187378	19340030520	E	1/1	