

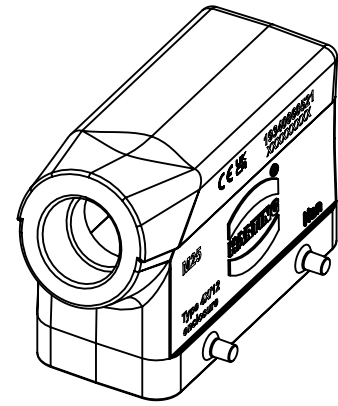
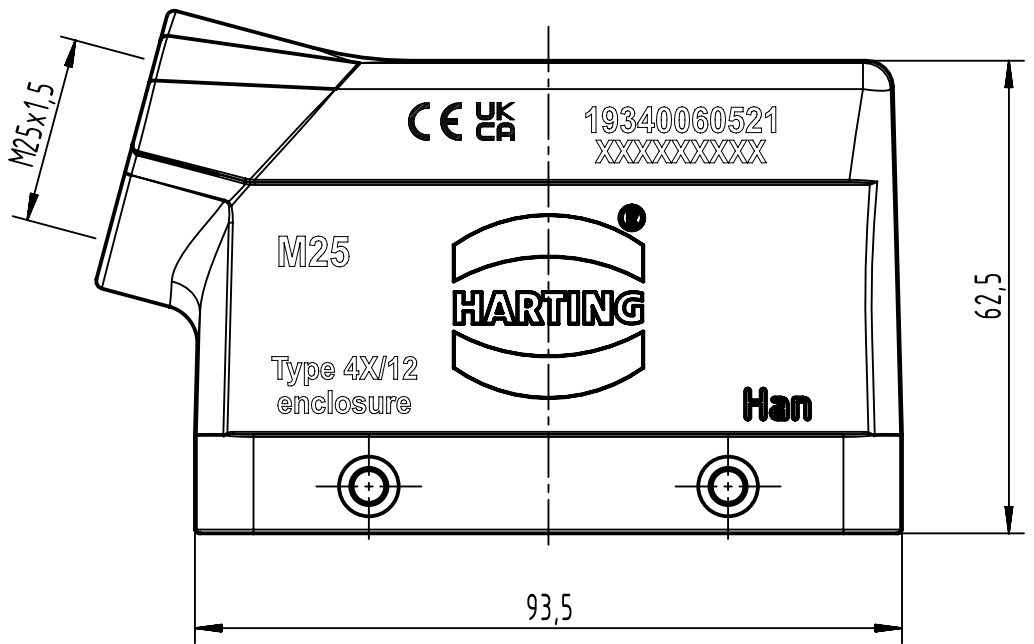
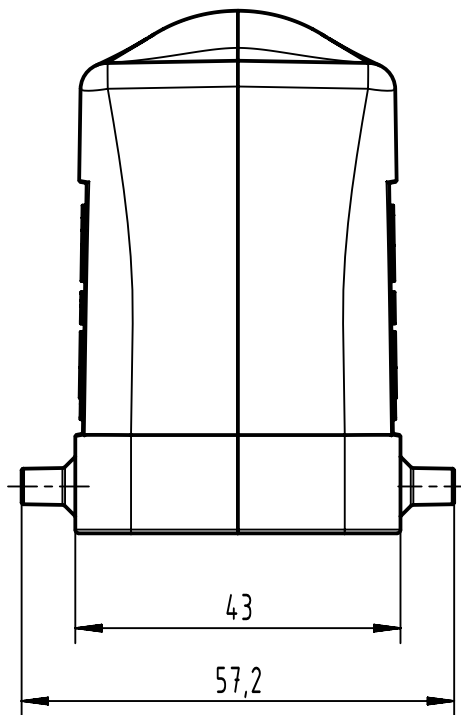
1 2 3 4 5 6

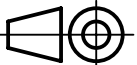

A

B

C

D



 All Dimensions in mm Original Size DIN A4	Scale	Free size tol.		Ref.	
	1:1			Sub.	
 All rights reserved Department EL PD	Created by	Inspected by	Standardisation	Date	State
	spreenb	gerb		14-Apr-2025	40 - Released
HARTING D-32339 Espelkamp	Title				Doc-Key / ECM-Nr.
	Han 6HvE-gs-M25				DS00180057
Type	Design Number	SAP Mat. Number	Rev.	Page	
TB	DS00180057	19340060521	E	1/1	