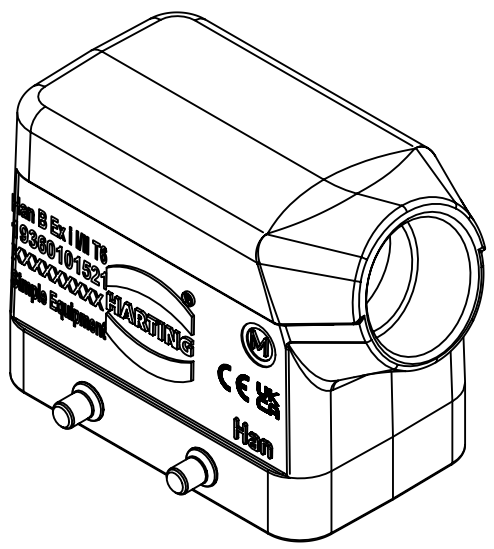
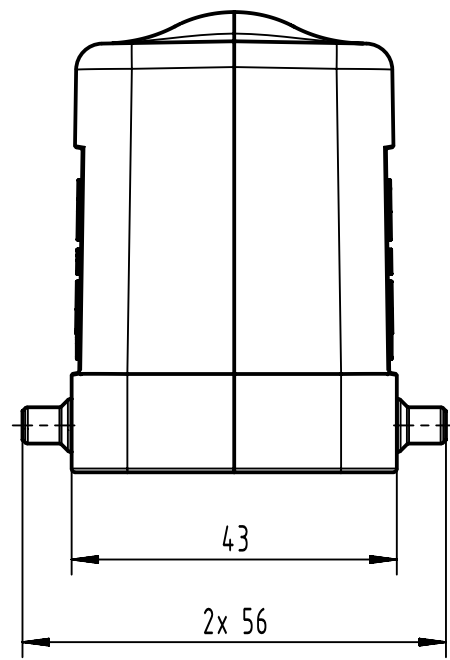
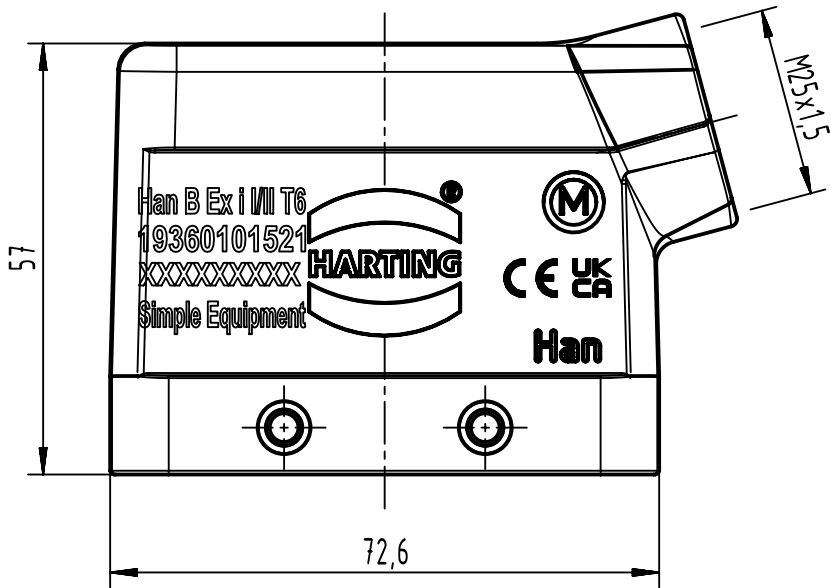


A

B

C

D



	All Dimensions in mm Original Size DIN A4		Scale 1:1	Free size tol.		Ref.	
						Sub.	
	All rights reserved		Created by longl	Inspected by wangst	Standardisation	Date 24-Jun-2025	State 40 - Released
	Department EL PD		Title Han B Side Entry LC M25 Ex i for DL				Doc-Key / ECM-Nr. DS00195898
HARTING D-32339 Espelkamp			Type TB	Design Number DS00195898	SAP Mat. Number 19360101521	Rev. A	Page 1/1