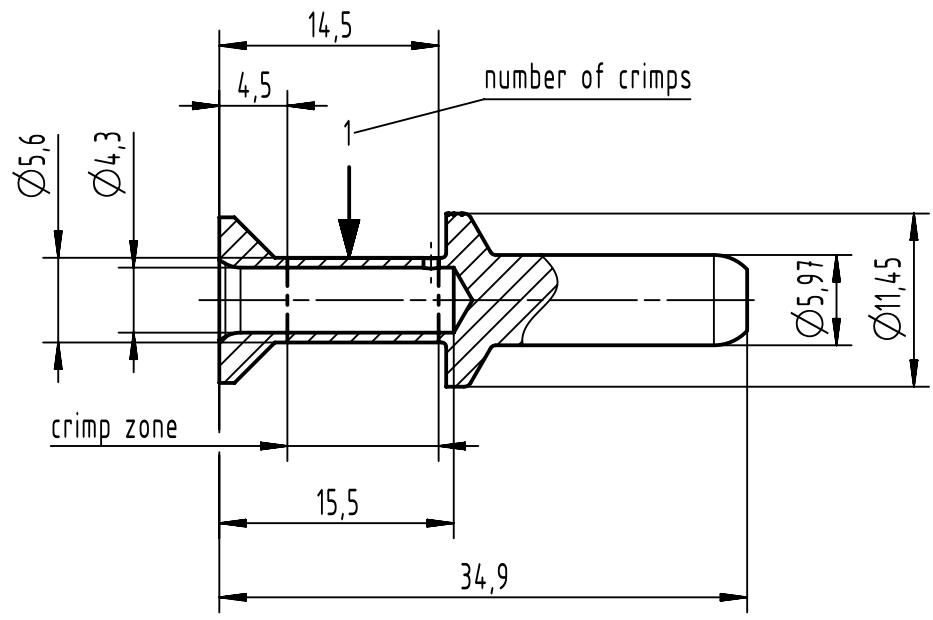


A

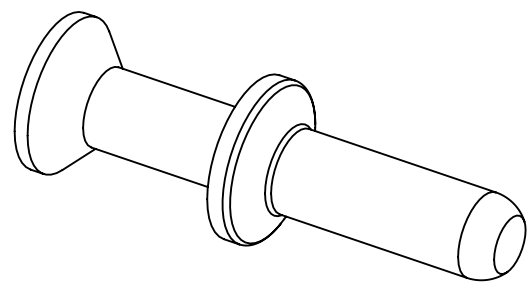
B

C

D



assembly notes see catalog
 crimp zone acc.to DIN EN 46235; indicator 6
 for stranded fine wire acc.to VDE 0295 class 5/ IEC 60228 class 5
 wire gauge: 10 mm²
 stripping length: 15,5mm



	All rights reserved Department EL PD	All Dimensions in mm Original Size DIN A4		Scale 2:1	Free size tol.	Ref.
		Created by HOLLERT	Inspected by 100219	Standardisation	Date 2024-03-19	State Final Release
HARTING D-32339 Espelkamp		Title Han TC70 male contact 10mm ²			Doc-Key / ECM-Nr. 100180788/UGD/006/G 500000265843	
		Type TB	Number 09 11 000 6131		Rev. G	Page 1/1