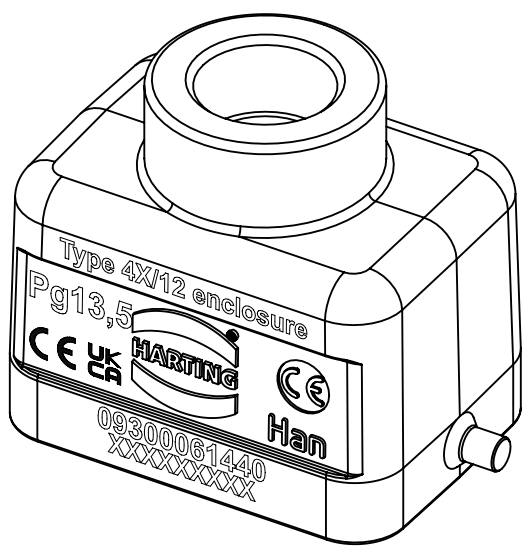
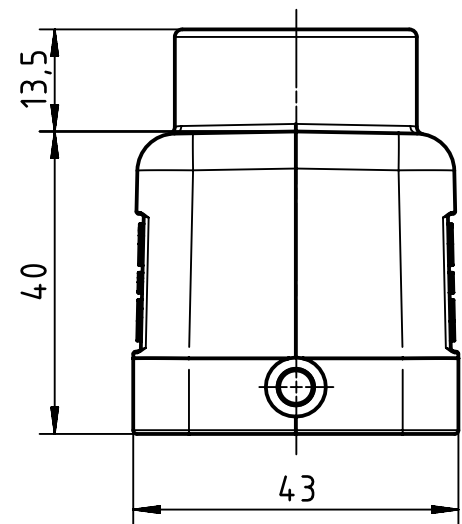
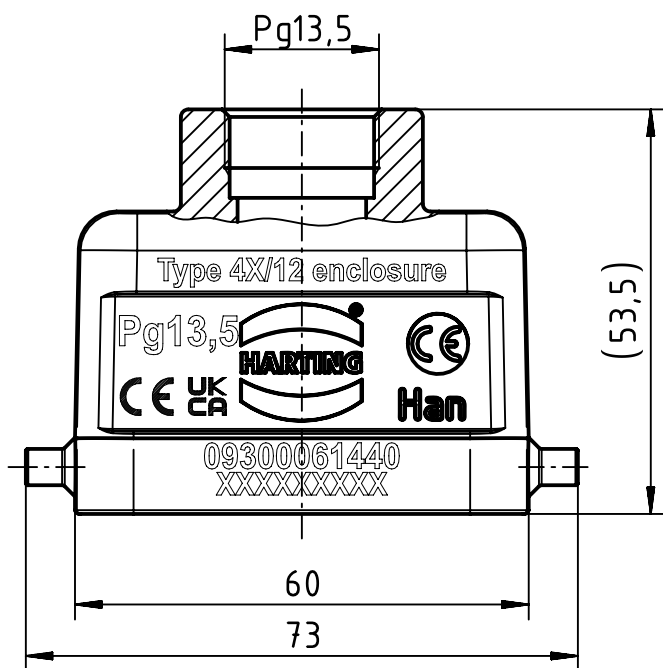


A

B

C

D



	All Dimensions in mm Original Size DIN A4		Scale 1:1	Free size tol.		Ref.
						Sub.
	All rights reserved		Created by 105230	Inspected by GERB	Standardisation	Date 2023-11-07
	Department EL PD		Title Han B Hood Top Entry LC 2 Pegs PG 13.5			State Final Release
HARTING D-32339 Espelkamp			Type TB	Number 09 30 006 1440		Doc-Key / ECM-Nr. 100201242/UGD/004/F 500000256063
					Rev. F	Page 1/1