

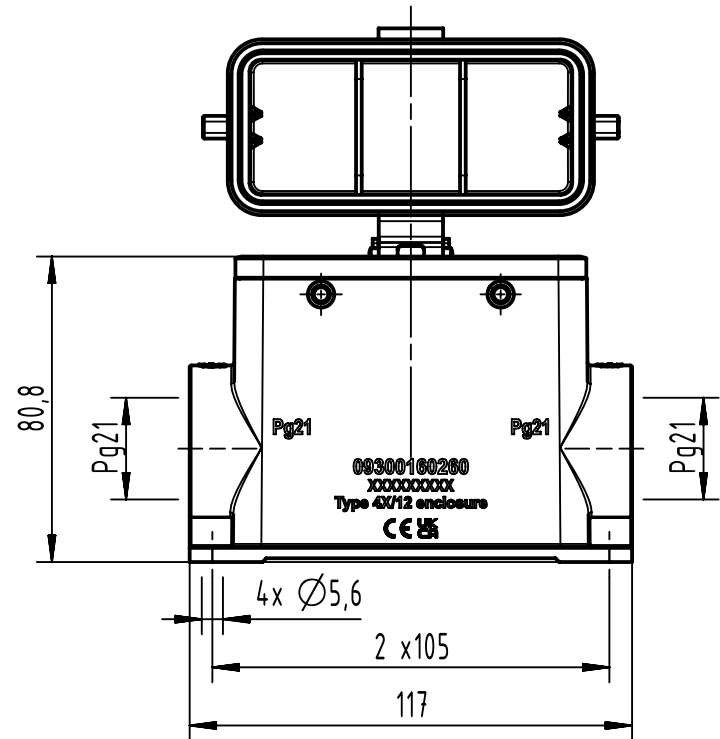
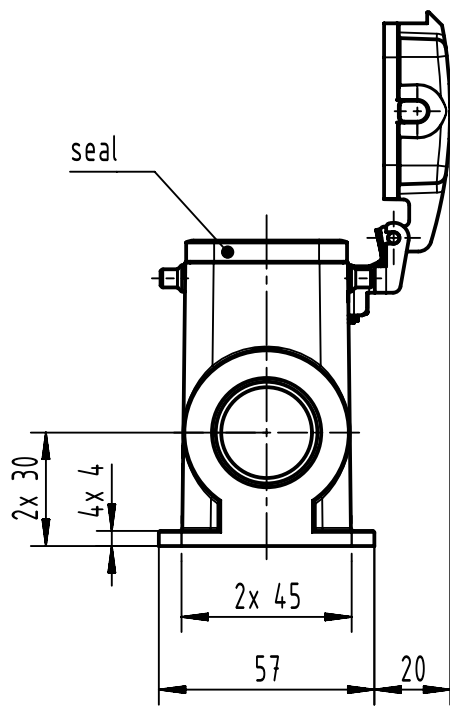
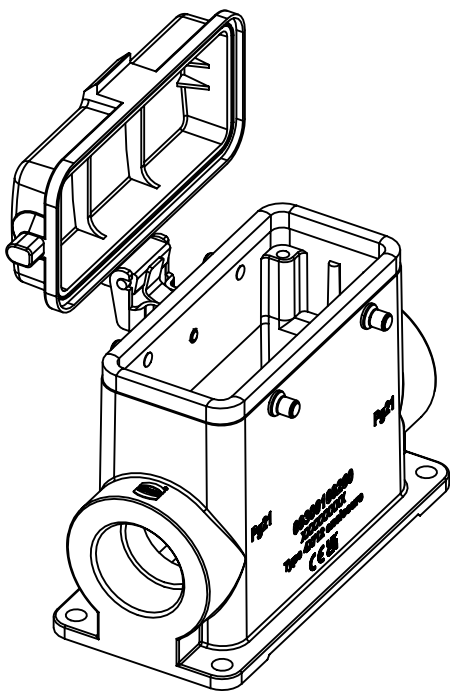
1 2 3 4 5 6

A

B

C

D



	All Dimensions in mm Original Size DIN A4		Scale 1:2	Free size tol.		Ref.	
						Sub.	
	All rights reserved		Created by SPRENB	Inspected by GERB	Standardisation	Date 2023-12-01	
	Department EL PD					State Final Release	
HARTING			Title Han 16B-asg2-K-21			Doc-Key / ECM-Nr. 100209847/UGD/004/E 500000255804	
D-32339 Espelkamp			Type TB	Number 09 30 016 0260			
						Rev. E	Page 1/1