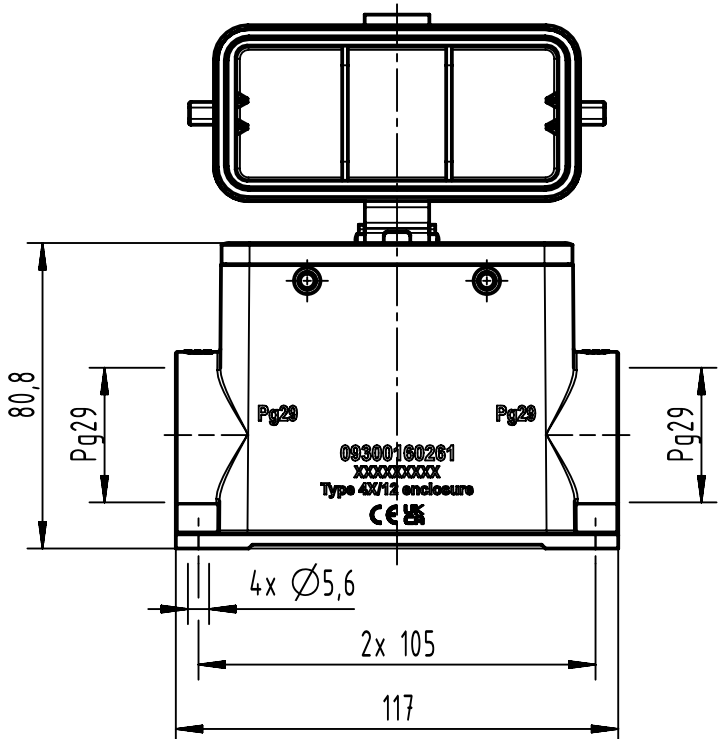
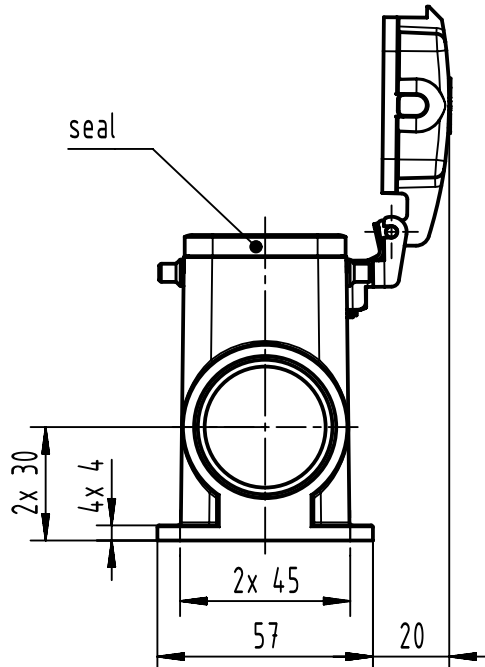
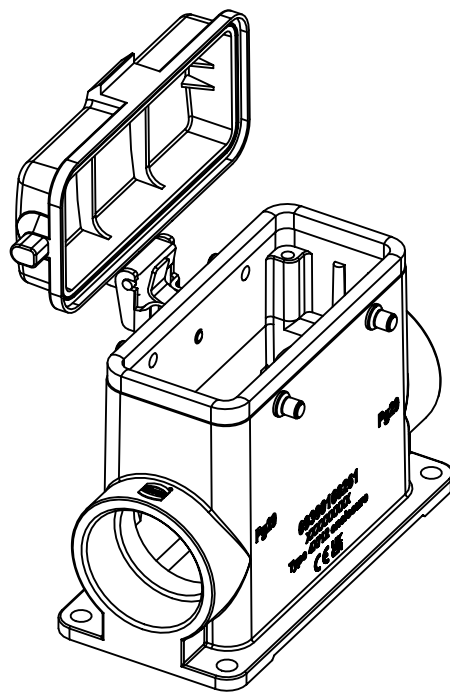


A

B

C

D



	All Dimensions in mm Original Size DIN A4		Scale 1:2	Free size tol.		Ref.
			Created by SPRENB	Inspected by GERB	Standardisation	Sub.
All rights reserved Department EL PD		Title Han 16B-asg2-K-29		Date 2023-12-01	State Final Release	
HARTING D-32339 Espelkamp		Type TB		Number 09 30 016 0261		Doc-Key / ECM-Nr. 100209876/UGD/004/E 500000255804
					Rev. E	Page 1/1