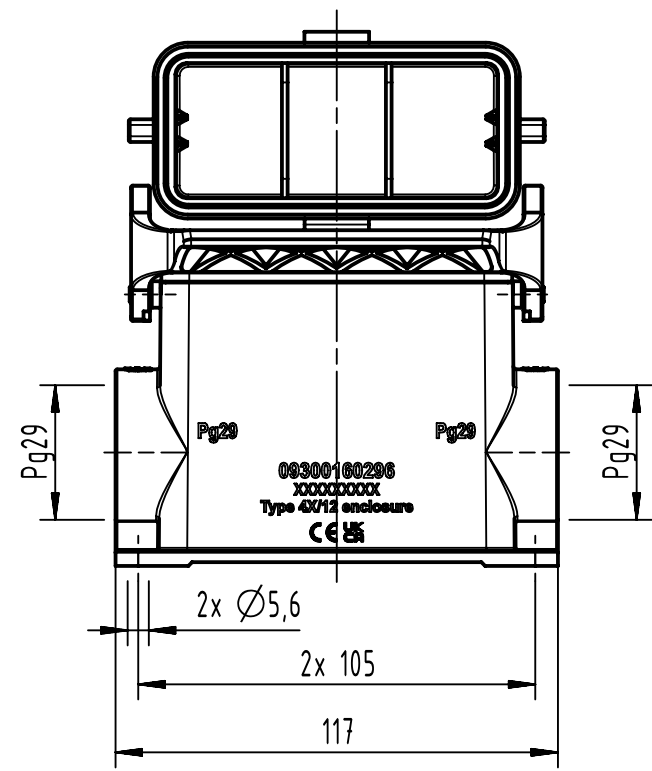
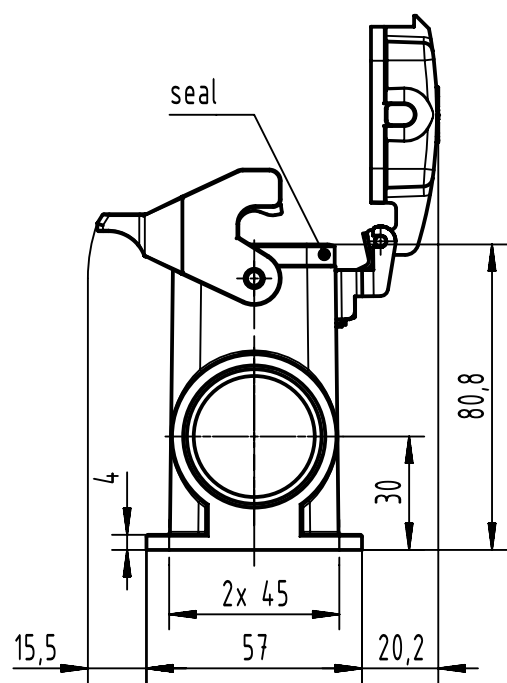
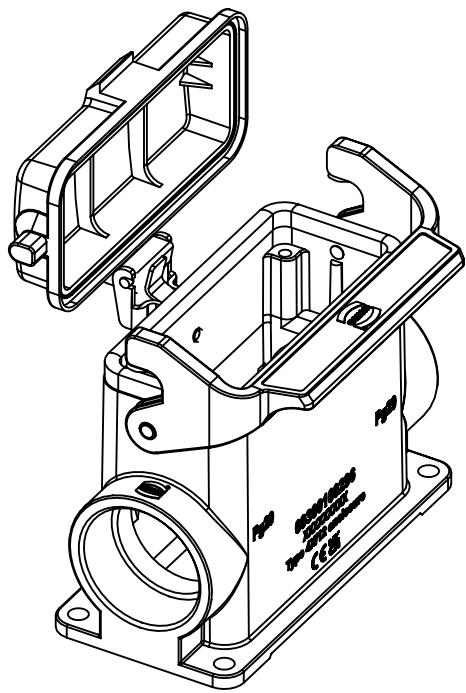


A

B

C

D



	All Dimensions in mm Original Size DIN A4		Scale 1:2	Free size tol.		Ref.
						Sub.
	All rights reserved		Created by SPRENB	Inspected by GERB	Standardisation	Date 2023-12-01
	Department EL PD					State Final Release
HARTING D-32339 Espelkamp			Title Han B Base SM HC plastic cover Pg29			Doc-Key / ECM-Nr. 100210104/UGD/004/D 500000255804
			Type TB	Number 09 30 016 0296		Rev. D Page 1/1