

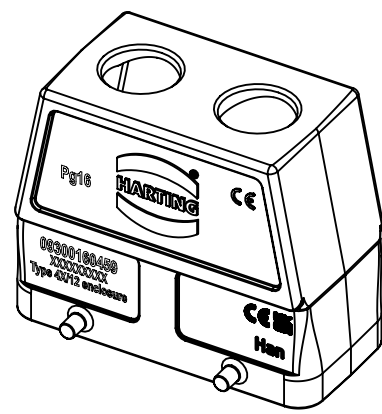
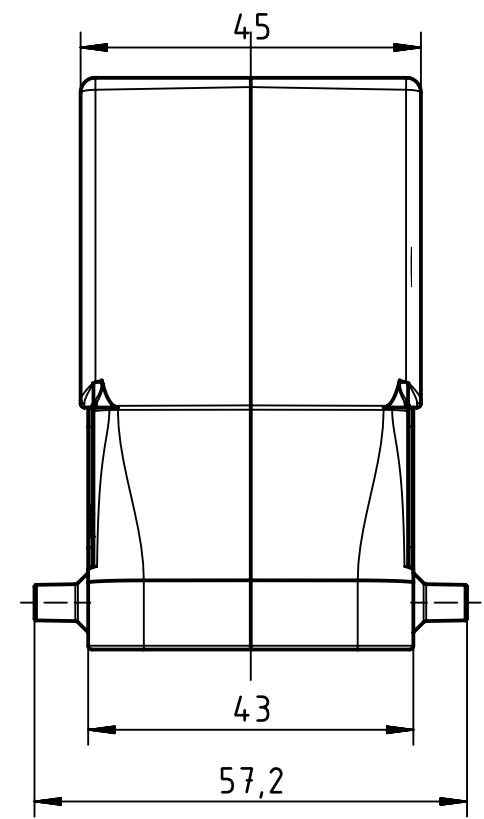
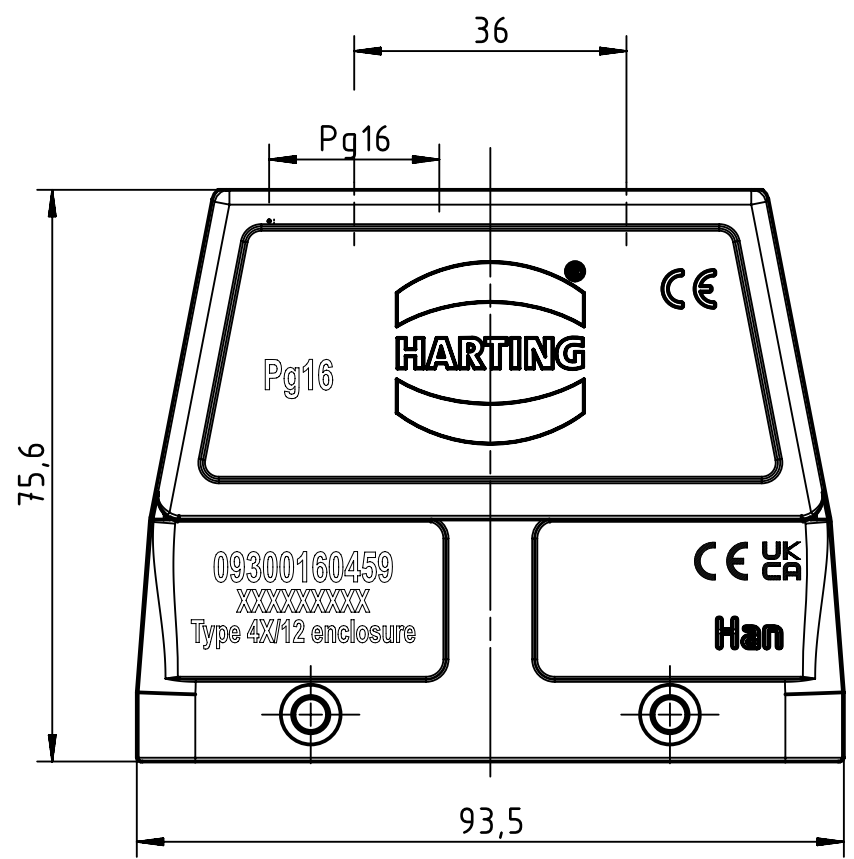
1 2 3 4 5 6

A

B

C

D



	All Dimensions in mm Original Size DIN A4		Scale 1:1	Free size tol.		Ref.	
						Sub.	
	All rights reserved		Created by 105230	Inspected by GERB	Standardisation	Date 2023-11-21	
	Department EL PD					State Final Release	
HARTING			Title Han B Hood Top Entry 4 Pegs 2 Entry PG 1			Doc-Key / ECM-Nr. 100220745/UGD/002/F 500000256463	
D-32339 Espelkamp			Type TB	Number 09 30 016 0459			
						Rev. F	Page 1/1