

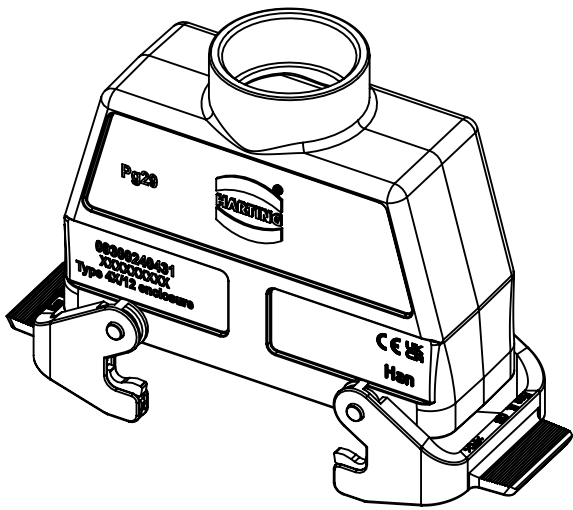
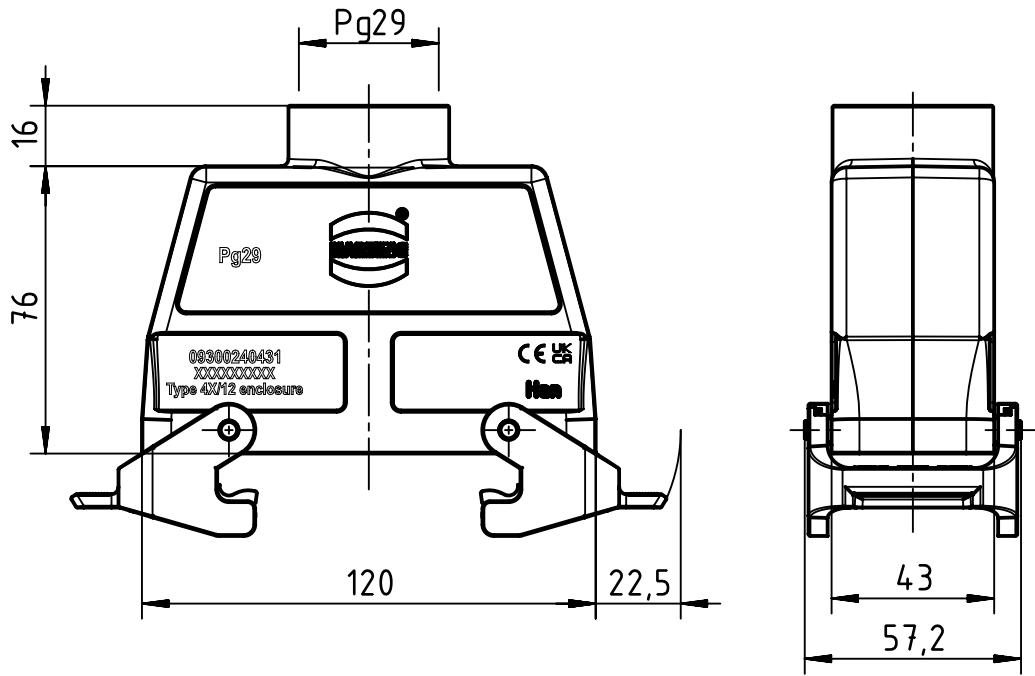
1 2 3 4 5 6

A

B

C

D



	All Dimensions in mm Original Size DIN A4		Scale 1:2	Free size tol.		Ref.
						Sub.
	All rights reserved		Created by 105230	Inspected by GERB	Standardisation	Date 2023-11-20
	Department EL PD		Title Han B Hood Top Entry HC 2 Levers PG 29			State Final Release
HARTING D-32339 Espelkamp			Type TB	Number 09 30 024 0431		Doc-Key / ECM-Nr. 100118462/UGD/006/D 500000257758
					Rev. D	Page 1/1