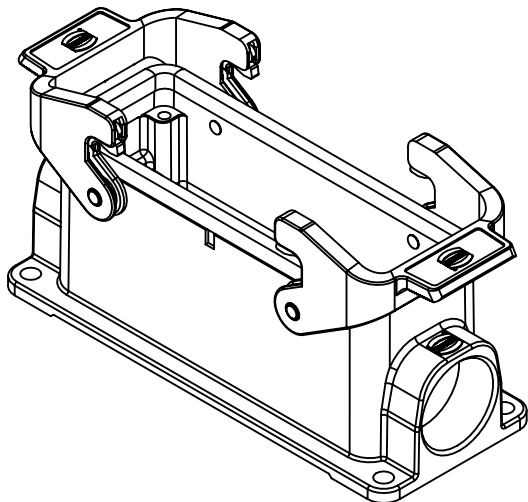


09300241230
XXXXXXXXXX
Type 4X/12 enclosure



	All Dimensions in mm Original Size DIN A4		Scale 1:1	Free size tol.		Ref. Sub. TB 09 30 024 1230 v. 26.07.99	
		All rights reserved	Created by SPRENB	Inspected by GERB	Standardisation	Date 2023-12-11	State Final Release
Department EL PD		Title Han B Base Surface LC 2 Levers 1xPg21					Doc-Key / ECM-Nr. 100119460/UGD/006/D 500000255805
HARTING D-32339 Espelkamp		Type TB	Number 09 30 024 1230			Rev. D	Page 1/1