

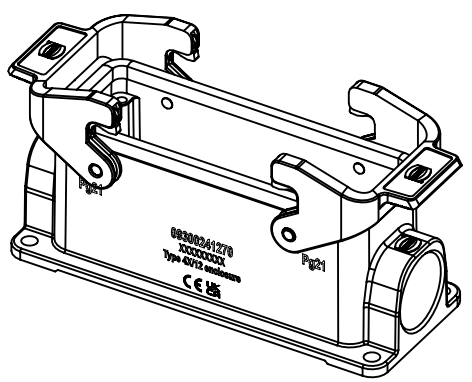
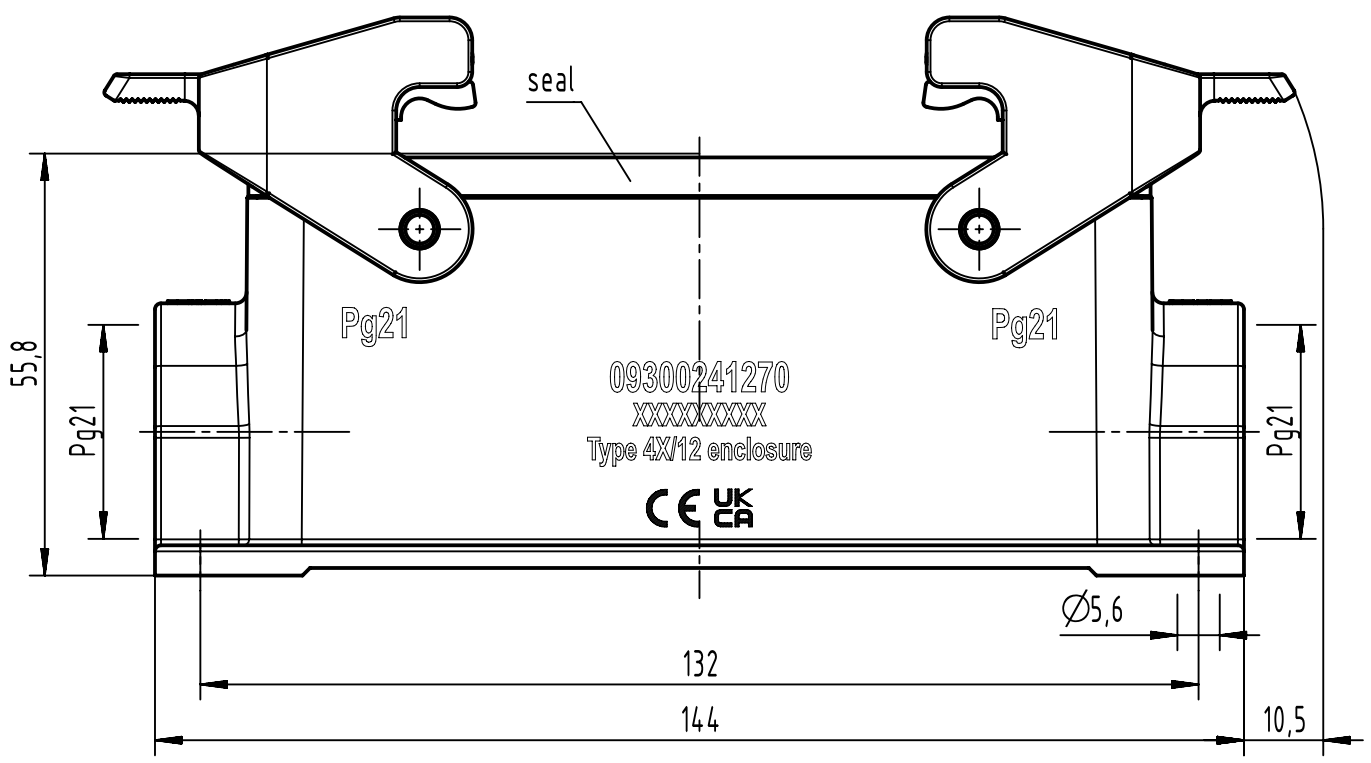
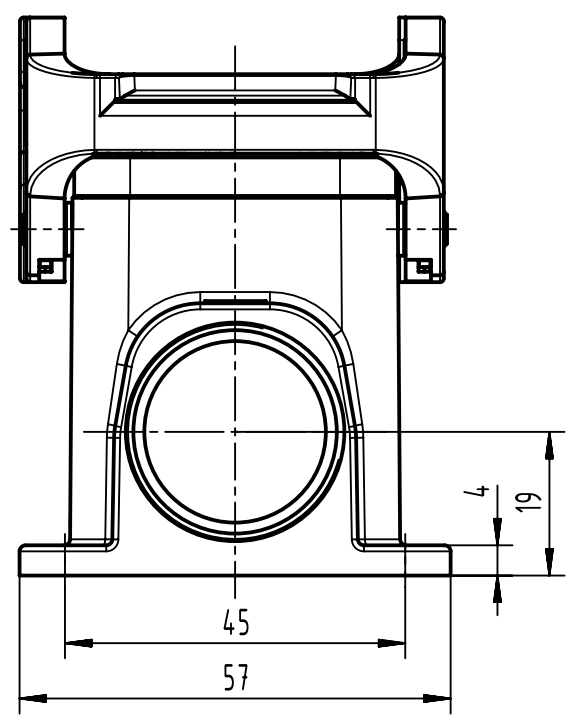
1 2 3 4 5 6

A

B

C

D



	All Dimensions in mm Original Size DIN A4		Scale 1:1	Free size tol.		Ref. Sub. TB 09 30 024 1270 v. 26.07.99	
		All rights reserved	Created by SPRENB	Inspected by GERB	Standardisation	Date 2023-12-11	State Final Release
Department EL PD		Title Han B Base Surface LC 2 Levers 2 Entries					Doc-Key / ECM-Nr. 100098854/UGD/006/D 500000255805
HARTING D-32339 Espelkamp		Type TB	Number 09 30 024 1270			Rev. D	Page 1/1