

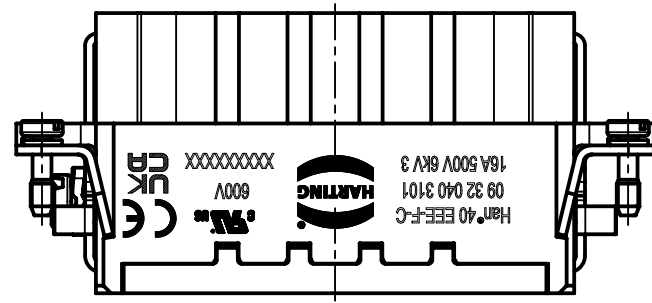
1 2 3 4 5 6

A

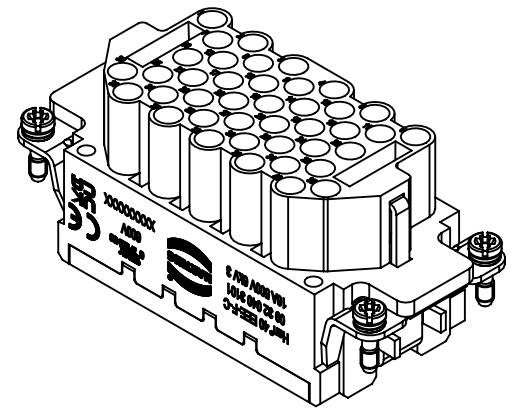
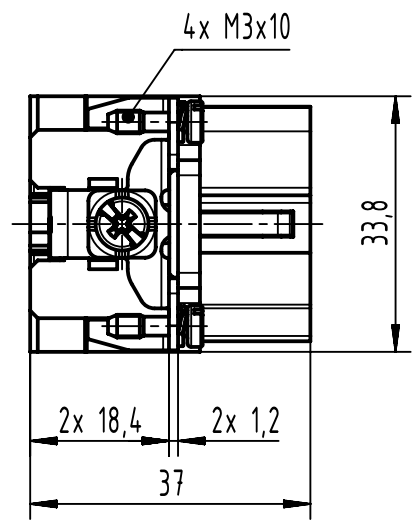
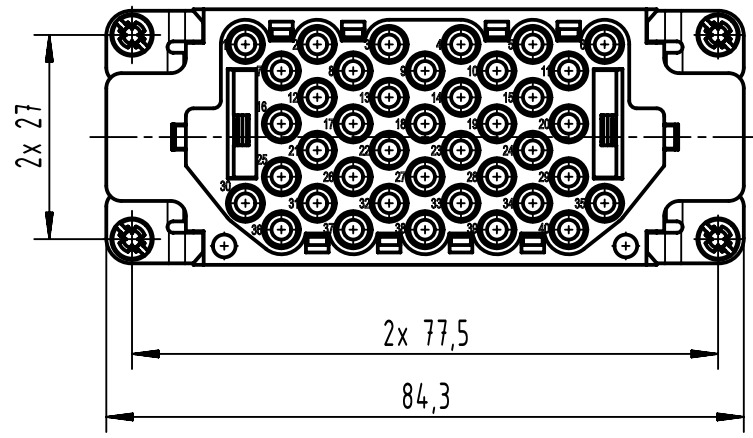
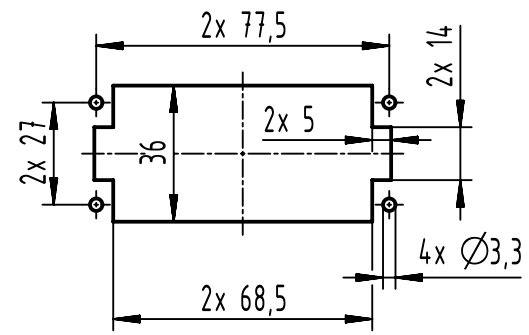
B

C

D



panel cut out
(1:2)



	All rights reserved Department EL PD	All Dimensions in mm Original Size DIN A4		Scale 1:1	Free size tol.	Ref. Sub. TB 09 32 040 3101 v. 02.04.09	
		HARTING D-32339 Espelkamp	Created by HOLLERT	Inspected by SCHNIEDER	Standardisation SAP_WFRT	Date 2022-07-08	State Approved
		Title Han 40 EEE-F-C					Rev. C
		Type TB	Number 09 32 040 3101				Page 1/1