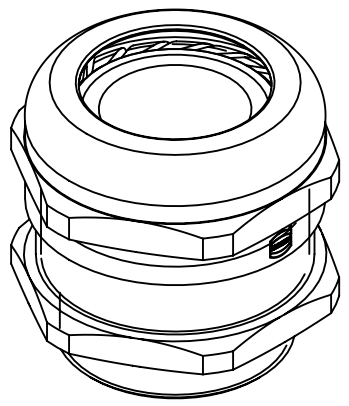
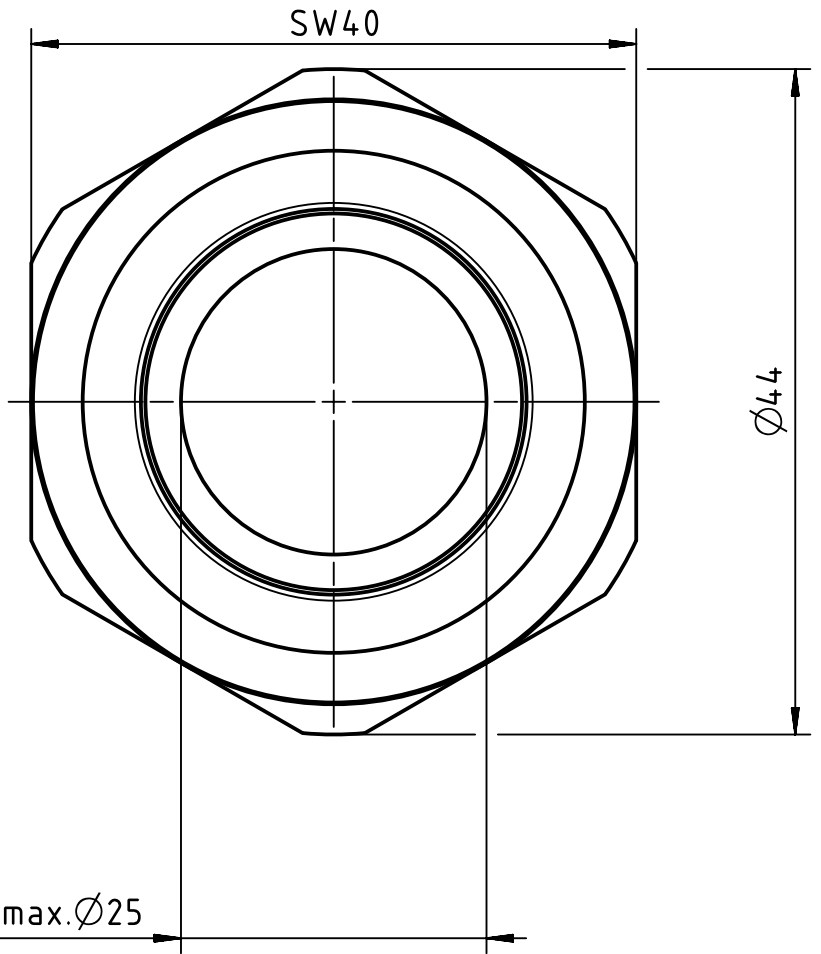


O-Ring included
 Position of the Logo may vary



	All Dimensions in mm Original Size DIN A4		Scale 2:1	Free size tol.		Ref.	
						Sub.	
	All rights reserved		Created by 408985	Inspected by 409043	Standardisation	Date 19-Sep-2025	State 40 - Released
	Department EL PD		Title Han CGM-M M32x1,5 D.13-20mm/18-25mm			Doc-Key / ECM-Nr. DS00184095	
HARTING D-32339 Espelkamp			Type TB	Design Number DS00184095	SAP Mat. Number 19000005095	Rev. E	Page 1/1