

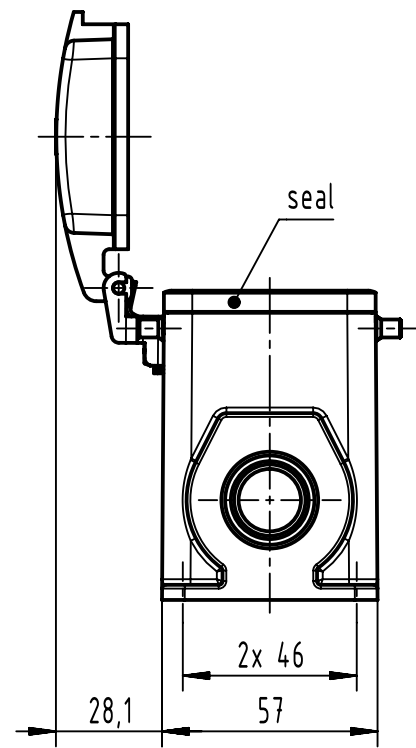
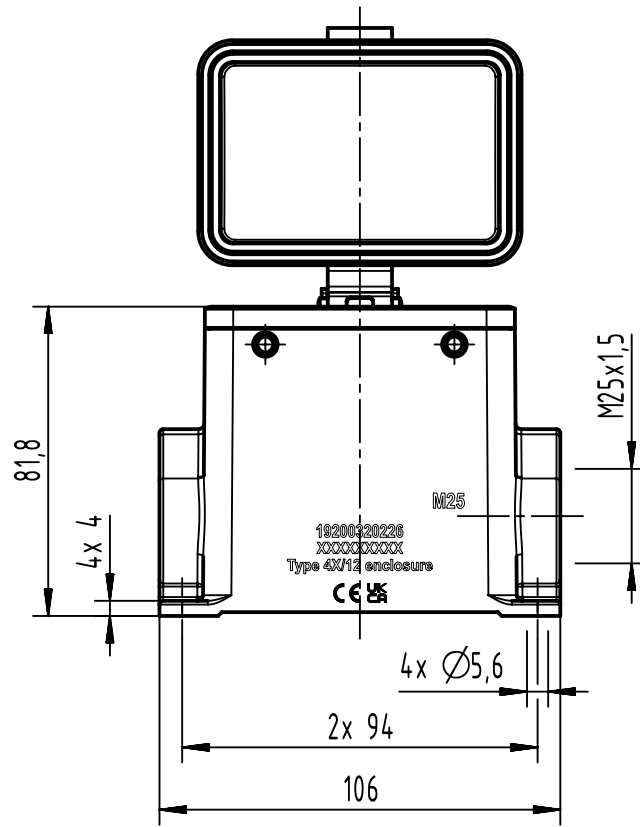
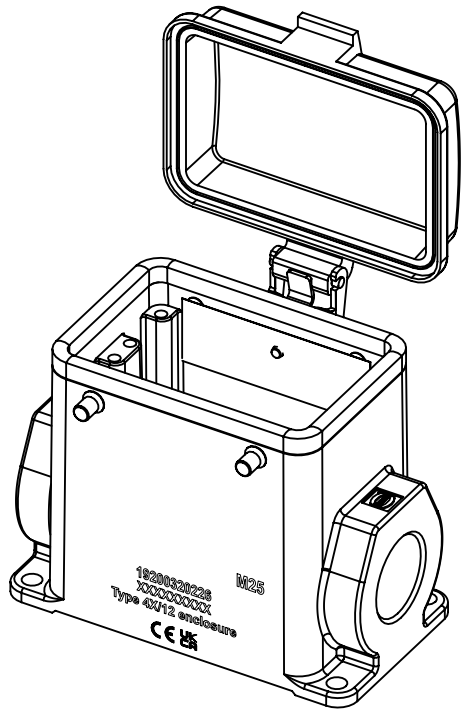
1 2 3 4 5 6

A

B

C

D



	All Dimensions in mm Original Size DIN A4	Scale	Free size tol.		Ref.	
		1:2			Sub. TB 19 20 032 0226 v. 07.01.10	
	All rights reserved Department EL PD	Created by	Inspected by	Standardisation	Date	State
		HOLLERT	GERB		2023-09-15	Final Release
HARTING D-32339 Espelkamp		Title			Doc-Key / ECM-Nr.	
		Han 32A-asg1-K-M25			100206230/UGD/002/C 500000253327	
		Type	Number		Rev.	Page
		TB	19 20 032 0226		C	1/1