

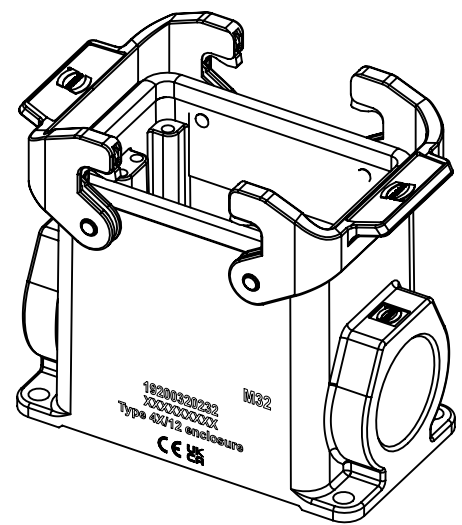
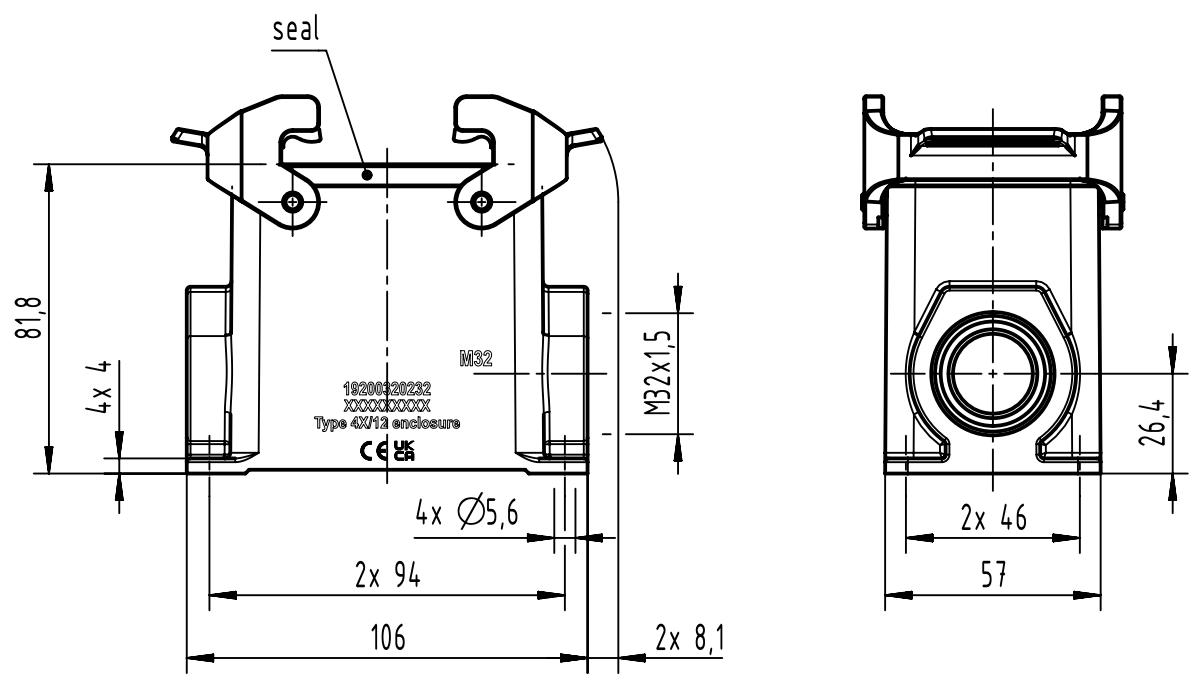
1 2 3 4 5 6

A

B

C

D



	All Dimensions in mm Original Size DIN A4		Scale 1:2	Free size tol.		Ref. Sub. TB 19 20 032 0232 v. 26.01.11	
		All rights reserved	Created by HOLLERT	Inspected by GERB	Standardisation	Date 2023-09-15	State Final Release
Department EL PD		Title Han A Base Surface HC 2 Levers 1 x M32					Doc-Key / ECM-Nr. 100206234/UGD/005/C 500000253327
HARTING D-32339 Espelkamp		Type TB	Number 19 20 032 0232			Rev. C	Page 1/1