

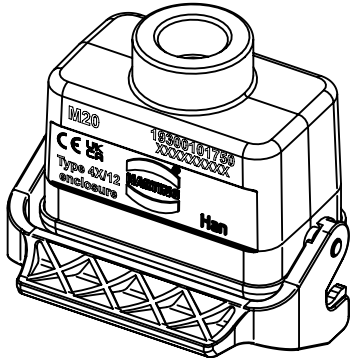
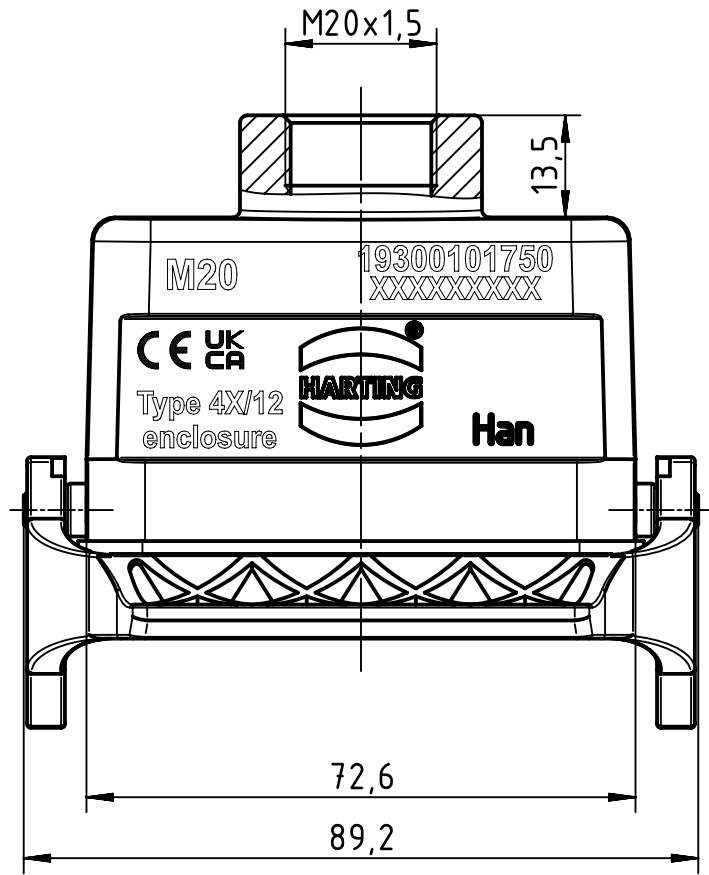
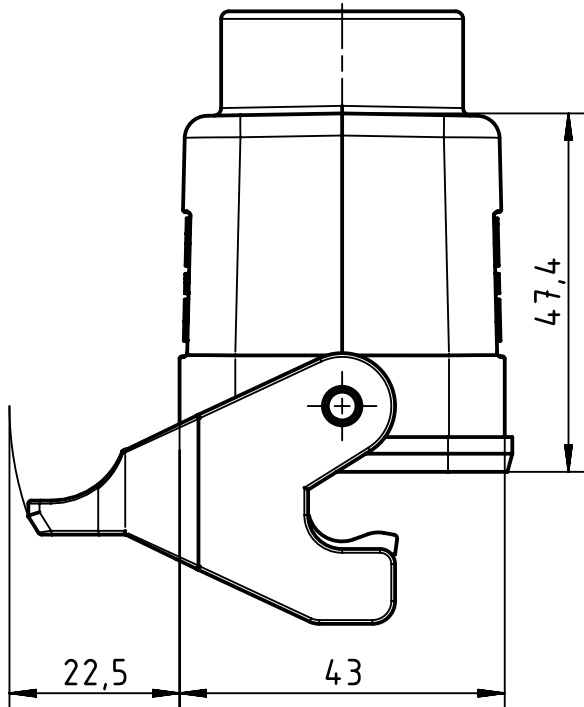
1 2 3 4 5 6

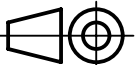

A

B

C

D



 All Dimensions in mm Original Size DIN A4	Scale	Free size tol.			Ref.
	1:1				Sub.
 All rights reserved Department EL PD	Created by	Inspected by	Standardisation	Date	State
	408997	GERB		2023-12-01	Final Release
HARTING D-32339 Espelkamp	Title				Doc-Key / ECM-Nr.
	Han 10B-kg-LB-M20				100192189/UGD/004/E 500000257985
Type		Number		Rev.	Page
TB		19 30 010 1750		E	1/1