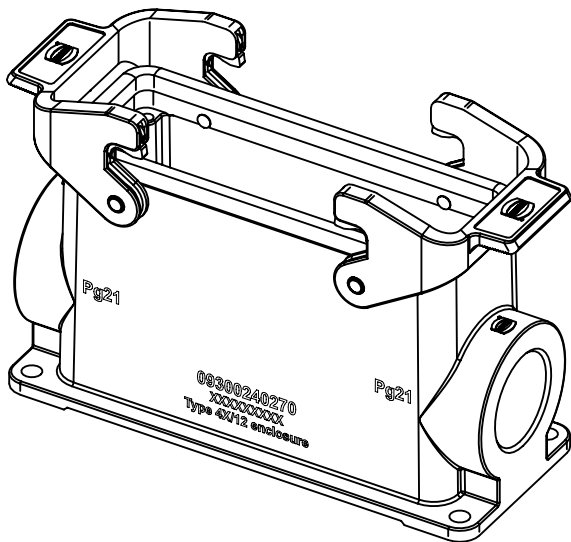
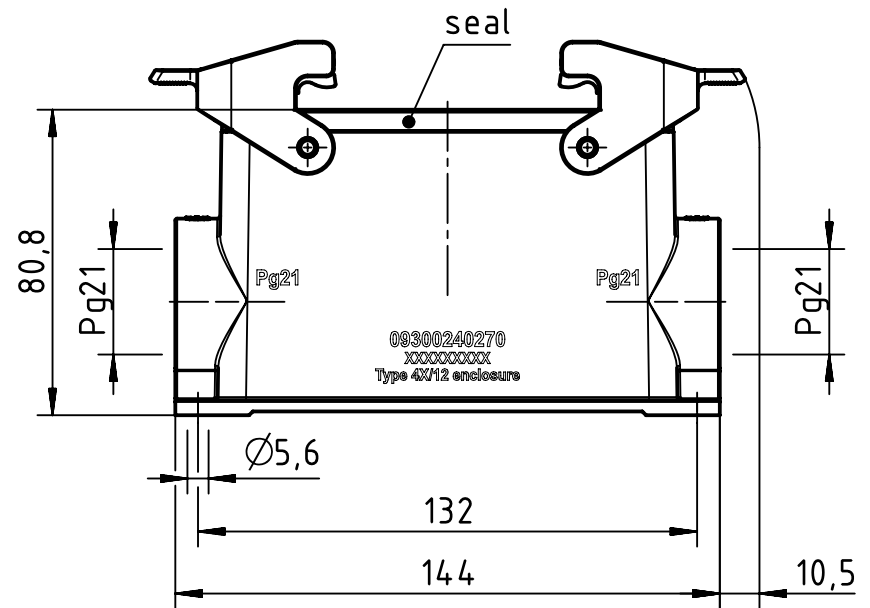
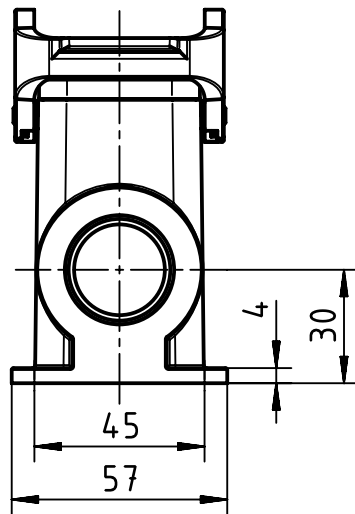


1 2 3 4 5 6

A
B
C
D



	All Dimensions in mm Original Size DIN A4		Scale 1:2	Free size tol.		Ref.	
			Created by FINKEV	Inspected by GERB	Standardisation GARSKE	Date 2020-03-16	State Old Release
All rights reserved Department EL PD		Title Han B Base Surface HC 2 Levers 2 Entries				Doc-Key / ECM-Nr. 100205765/UGD/004/B 500000166176	
HARTING Electric GmbH & Co. KG D-32339 Espelkamp		Type TB	Number 09 30 024 0270			Rev. B	Page 1/1