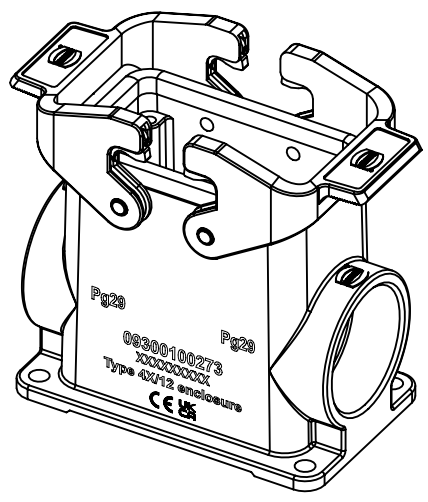
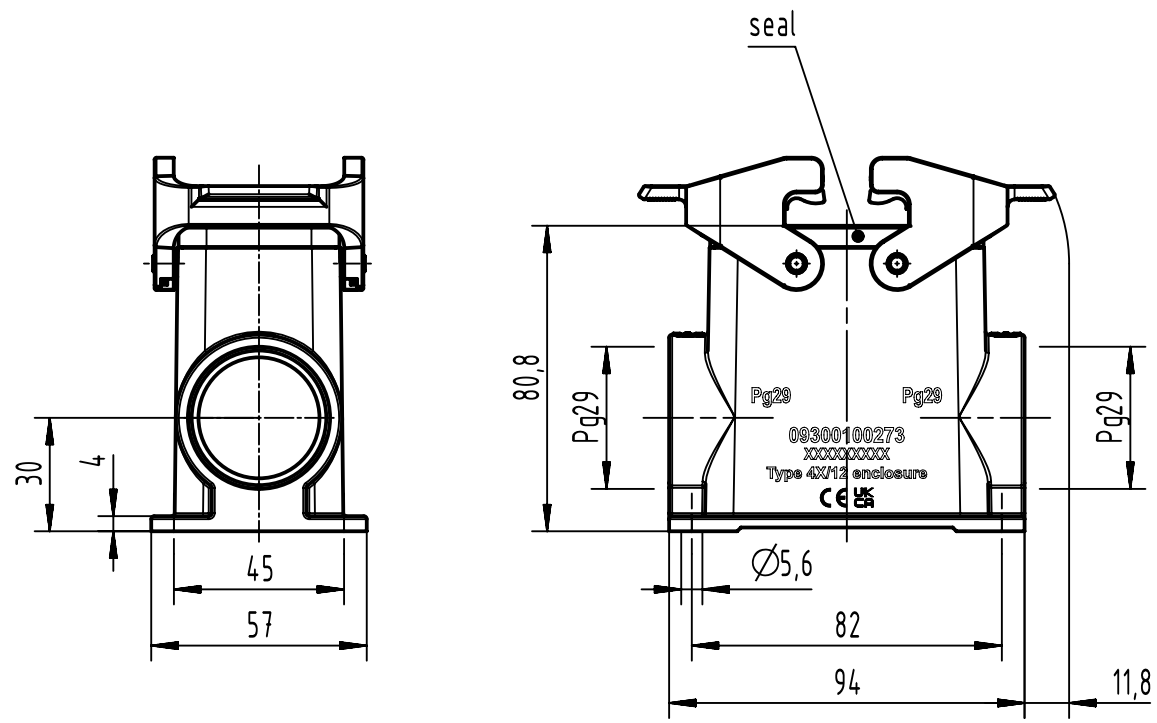


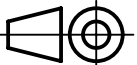

A

B

C

D



 All Dimensions in mm Original Size DIN A4	Scale	Free size tol.		Ref.	
	1:2			Sub.	
 All rights reserved Department EL PD	Created by	Inspected by	Standardisation	Date	State
	SPRENB	GERB		2023-11-15	Final Release
HARTING D-32339 Espelkamp	Title			Doc-Key / ECM-Nr.	
	Base Surface HC 2 Lever 2 Entries			100208941/UGD/004/D 500000255791	
Type		Number		Rev.	Page
TB		09 30 010 0273		D	1/1