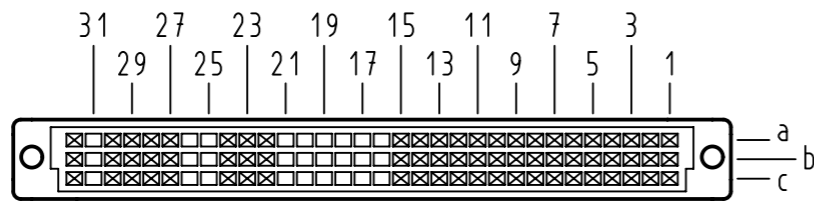


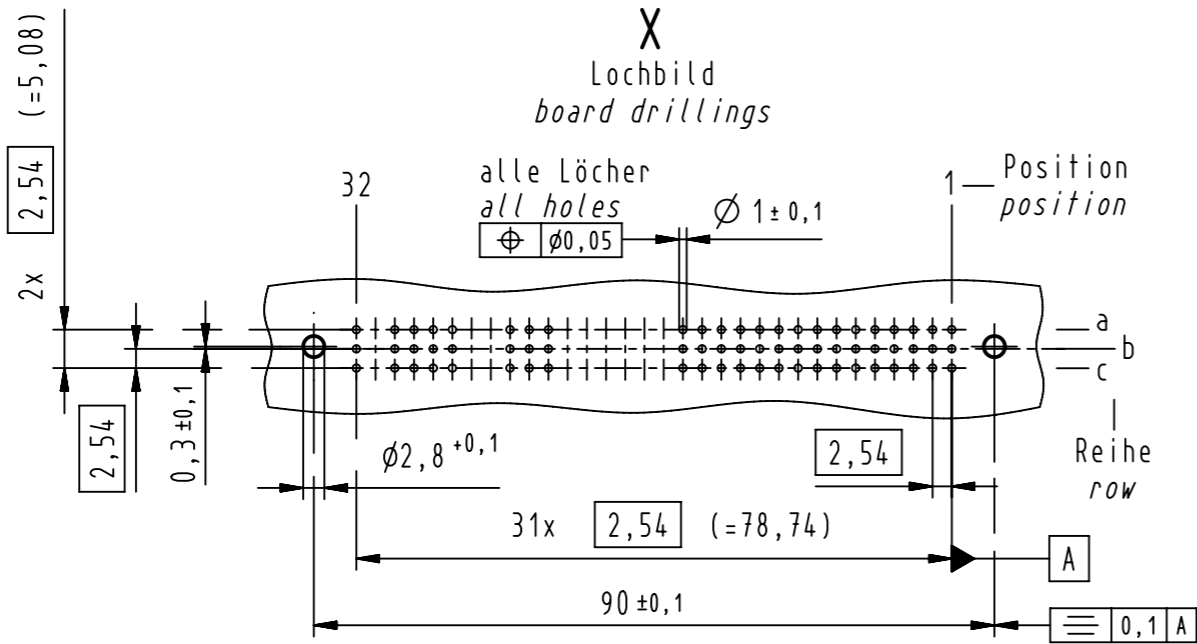
**X**  
Kontaktanordnung  
contact arrangement



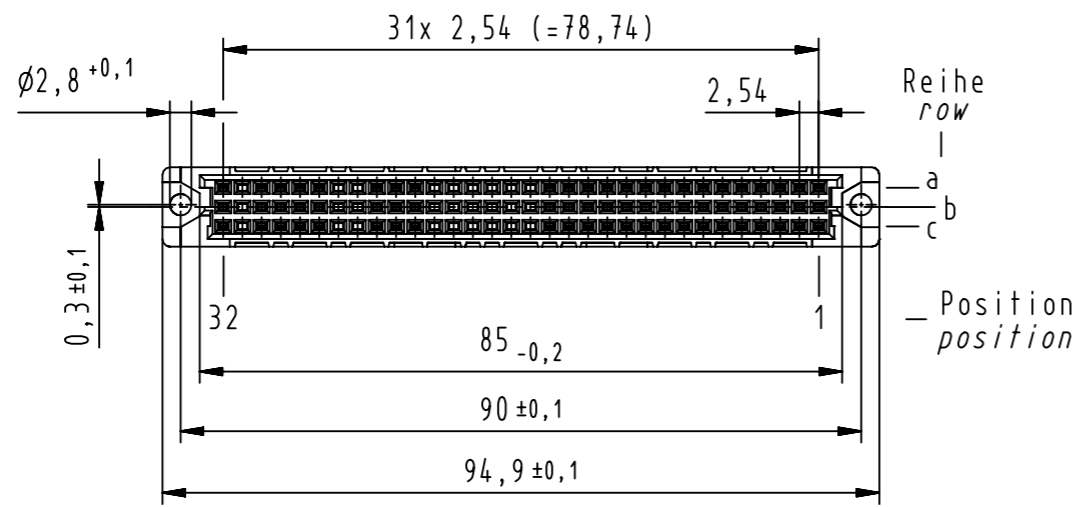
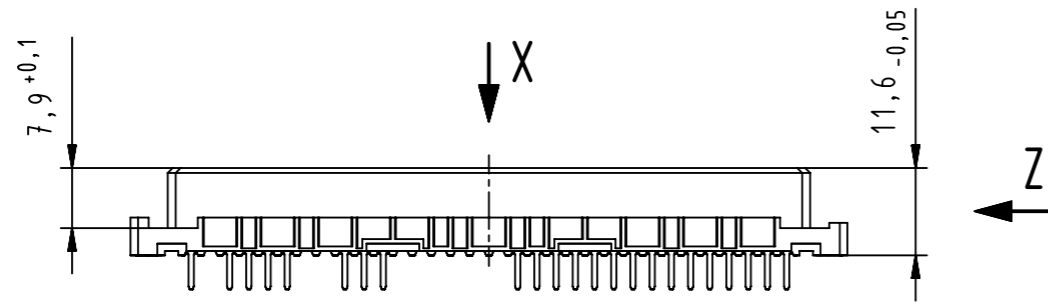
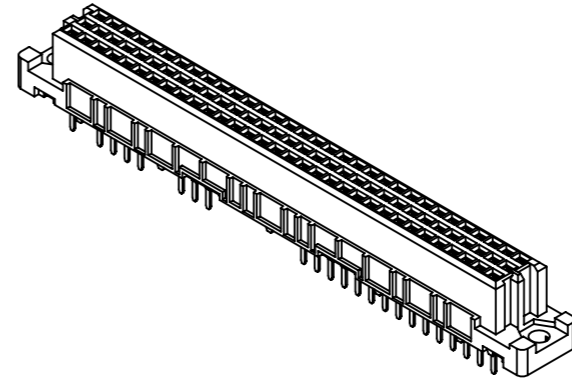
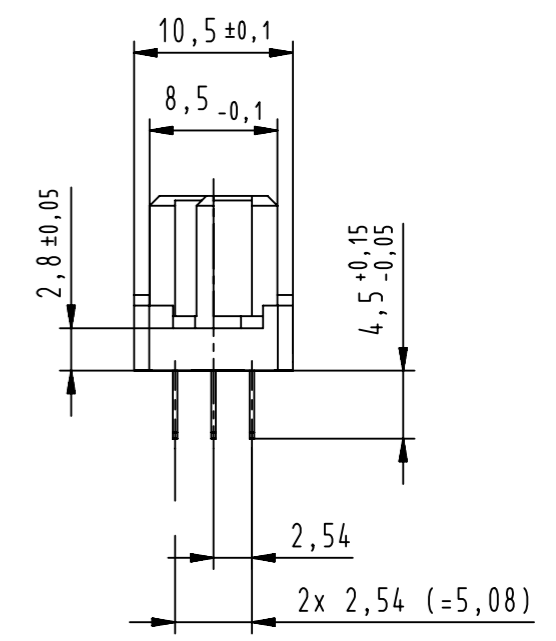
69 Einlöt-Kontakte  
69 solder-contacts

- ☒ = Einlöt-Kontakt  
= solder-contact
- = kinked Einlöt-Kontakt  
= kinked solder-contact
- = Kontaktposition nicht belegt  
= position without contact

**X**  
Lochbild  
board drillings



**Z (2:1)**



① weitere Informationen siehe: DS 09 03 210 00 01  
further information see: DS 09 03 210 00 01

09 03 269 6825	2
Bestell-Nr. part-no.	Anforderungsstufe performance level ①

All Dimensions in mm Original Size DIN A3		Scale 1:1	Free size tol. IEC 60603-2	Ref. Sub.
All rights reserved Department EL PD		Created by STORCK	Inspected by	Standardisation
HARTING Electronics GmbH D-32339 Espelkamp		Title type C female solder 4.5 69-pole		Date 2021-04-14
		Type TB	Number 0903269X825	State Archived
				Doc-Key / ECM-Nr. 100173852/UGD/221/F
				Rev. F Page 1/1