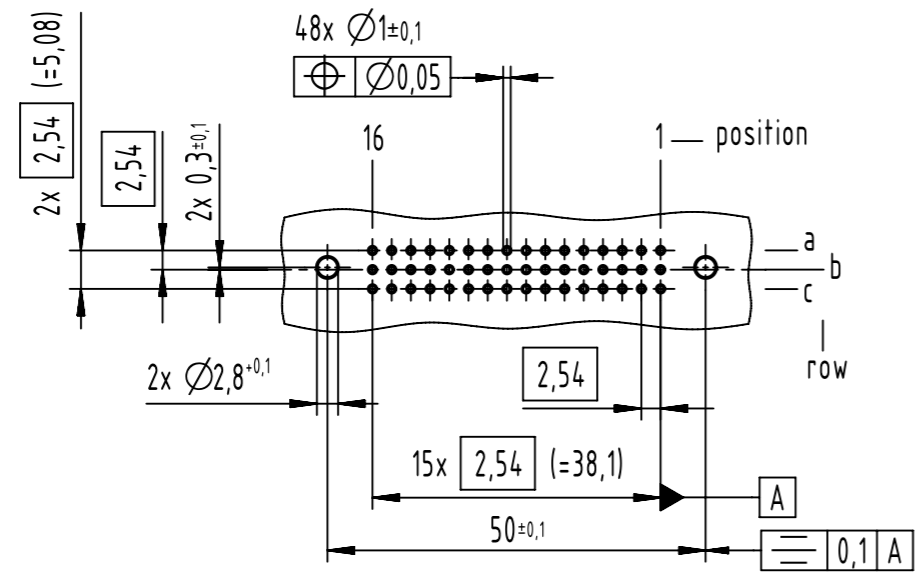
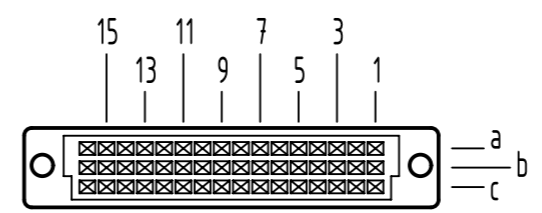


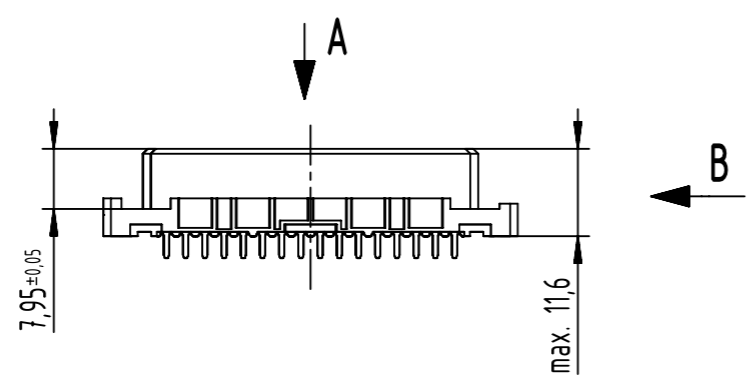
**A**  
board drillings



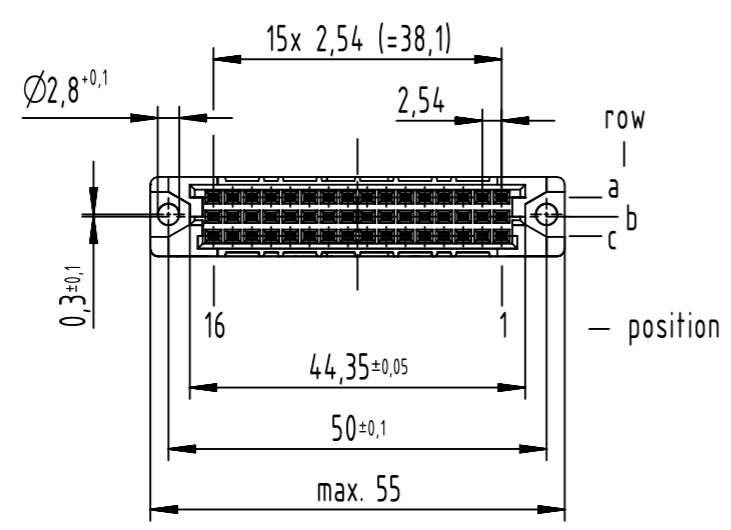
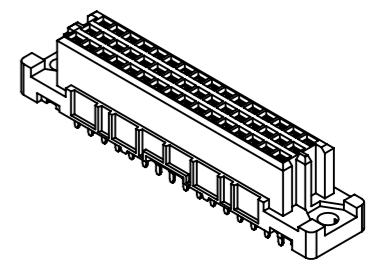
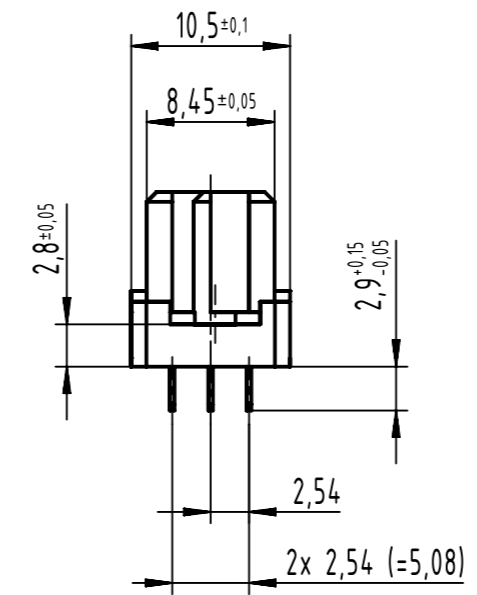
**A**  
contact arrangement



48 solder contacts  
☒ = solder contact  
□ = position without contact



**B (2:1)**



09 23 248 6824	2
09 23 248 2824	1
part no.	performance level

further information see product data sheet

	All Dimensions in mm Original Size DIN A3	Scale 1:1	Free size tol. IEC 60603-2	Ref.
	All rights reserved Department EL PD	Created by LEHNERT	Inspected by	Standardisation
HARTING D-32339 Espelkamp	Title DIN Signal type 2C female solder 2.9 48-pole		Date 2024-02-21	State Archived
Type TB		Number 0923248X824		Doc-Key / ECM-Nr. 100181948/UGD/051/D
				Rev. D
				Page 1/1