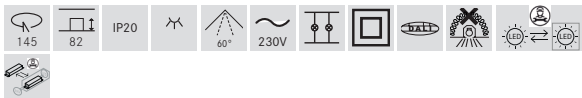
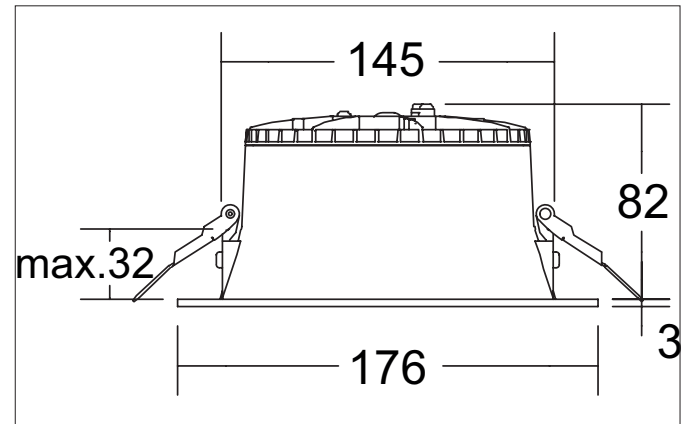



LOOP®DL MINI LED recessed downlight, DALI dimmable, with connection box, reflector silver, high-gloss, UGR<19

Article no. 12730183DA


Tender

LED recessed downlight, DALI dimmable, with connection box, reflector silver, high-gloss, UGR<19, Round. Toolless ceiling installation by installation springs. Ceiling cut-out Ø 145 mm, Installation depth 82 mm, Outer diameter 176 mm, Weight 0,492 kg, Reflector silver with rotationssymmetrical, deep, wide distributed light intensity. Cover plastic, structured Luminous flux 1.650 lm, UGR < 19, Power 1 x 13,5 W, Light colour warm white to neutral white, Correlated color temperature (CCT) 3.000 - 4.000 K, Colour rendering index CRI 82, Rated life time L70/B50 at 25 °C: 50.000 h, Housing material: Recycled Polycarbonate, Colour: black structure, Permissible ambient temperature (ta): -20 °C up to +40 °C, Protection class (EN 61140): II, Degree of protection (DIN EN 60529): IP20. With electronic driver, DALI-2 dimmable with integrated strain relief.

Product Benefits

- Round recessed downlight made of ABS XL700 plastic made of 93 % post-consumer recycled material including 10 % Ocean Bound Material with textured plastic cover.
- Simple and tool-free installation.
- CRI > 82, UGR < 19.
- Low installation depth of 82 mm, diameter of 176 mm, Ceiling cut-out 145 mm.
- Maximum ceiling thickness 32 mm.
- Supplied including switchable control gear and 3-pole connection box connection box with strain relief.
- Switchable. Also available as a DALI dimmable version.


LOOP®DL MINI LED recessed downlight, DALI dimmable, with connection box, reflector silver, high-gloss, UGR<19

Article no. 12730183DA

Article data	
Article no.	12730183DA
GTIN	4255752510727
Series name	LOOP®DL MINI
Short description	LED recessed downlight, DALI dimmable, with connection box, reflector silver, high-gloss, UGR<19
Material	Recycled Polycarbonate
Colour	black structure
Type of surface	Structure
Shape	Round
Outer diameter	176 mm
Built-in diameter min.	140 mm
Built-in diameter max.	145 mm
Installation depth	82 mm
Hight	3 mm
Scope of delivery	inkl. Konverter zum Anschluss an 230 V-Netzspannung, DALI-2 dimmbar und Anschlussbox
Weight	0.492 kg
D licence plate	No
Conformance	CE, UKCA

Lighting technology	
Colour temperature	3.000 K / 3.500 K / 4.000 K
Light colour	white
Color Temperature 1	3,000 K
Color Temperature 2	3,500 K
Color Temperature 3	4,000 K
Light output	Direct
Luminous flux	1,650 lm
System efficiency	122 lm/W
Colour rendering	CRI 82
Reflector	Glossy
Reflector colour	silver
Beam angle	60°
Glare evaluation	UGR < 19
Light sharing	Symmetric
Adjustable color temperature	Stages

Operating technology of the luminaire	
System output	13.5 W
Voltage type	AC
AC nominal voltage max	230 V
Frequency max	50 Hz
Lamp	LED
Lamp holder	Without fitting
Protection class	II
Degree of protection	IP20
Ambient temperature	-20°C up to +40°C
Dimmable	Yes
Control	DALI-2
Bulb change possible	The light source of this luminaire may only be replaced by the manufacturer or a service technician commissioned by him or a similarly qualified person.
Rated life time L70/B50 at 25 °C	50,000 h
Energy efficiency class	not required


BRUMBERG

Light. Since 1873.

LOOP®DL MINI LED recessed downlight, DALI dimmable, with connection box, reflector silver, high-gloss, UGR<19

Article no. 12730183DA

Mounting technology	
Mounting method	Recessed mounting
Place of installation	Ceiling-mounted
Adjustability	Not adjustable
Max. ceiling thickness	32 mm
Further references	No cover with thermal insulation material
Material cover	Plastic, structured
Suitable for through-wiring	Yes

Packing data	
Gross weight	0.574 kg
Length of packaging	180 mm
Packaging width	180 mm
Packaging height	95 mm
Disposal at end of life	<p>This product must not be disposed of with household waste. You are obliged, to dispose of such electrical waste separately.</p> <p>By disposing of electrical waste and other old or defective electronics separately, you support recycling or other forms of re-use. In that way you help to take care and to avoid that harmful substances get into the environment.</p>