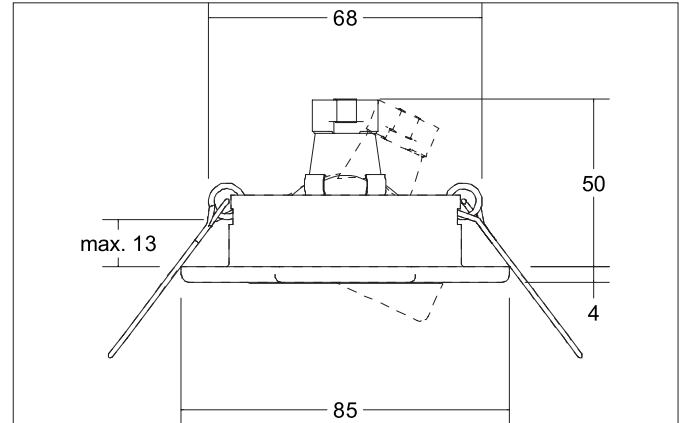




## Recessed spot, GX5,3

Article no. 1892.08



### Tender

Recessed spot, GX5,3, black, Angular. In a compact design, for installation in tool-less rapid assembly systems. Lamp holder: GX5.3, Mounting method: Recessed mounting, Place of installation: Ceiling-mounted, Material: Steel, Degree of protection: according to DIN EN 60529 IP20, Protection class: (EN 61140) III, Voltage: 12V, Power: 50 W, Amount of light sources / fittings: 1 piece, Adjustability: Pivoted, without control gear, Type of dimming: Depending on driver.

Article data	
Article no.	1892.08
GTIN	4251433903734
Short description	Recessed spot, GX5,3
Material	Steel
Colour	black
Shape	Angular
Built-in diameter min.	68 mm
Built-in diameter max.	68 mm
Installation depth	50 mm
Weight	0.07 kg
D licence plate	No
Conformance	CE, UKCA


**Recessed spot, GX5,3**

Article no. 1892.08

Operating technology of the luminaire	
System output	50 W
Voltage type	AC/DC
AC nominal voltage max	12 V
Frequency max	50 Hz
Lamp	LV halogen lamp
Lamp holder	GX5.3
Protection class	III
Degree of protection	IP20
Control	Depending on driver
Bulb change possible	Yes
Energy efficiency class	not required

Mounting technology	
Mounting method	Recessed mounting
Place of installation	Ceiling-mounted
Adjustability	Pivoted
Swivel angle	25°
Further references	No cover with thermal insulation material
Circlip	Without circlip

Packing data	
Gross weight	0.1 kg
Length of packaging	90 mm
Packaging width	55 mm
Packaging height	109 mm
Disposal at end of life	<p>This product must not be disposed of with household waste. You are obliged, to dispose of such electrical waste separately.</p> <p>By disposing of electrical waste and other old or defective electronics separately, you support recycling or other forms of re-use. In that way you help to take care and to avoid that harmful substances get into the environment.</p>