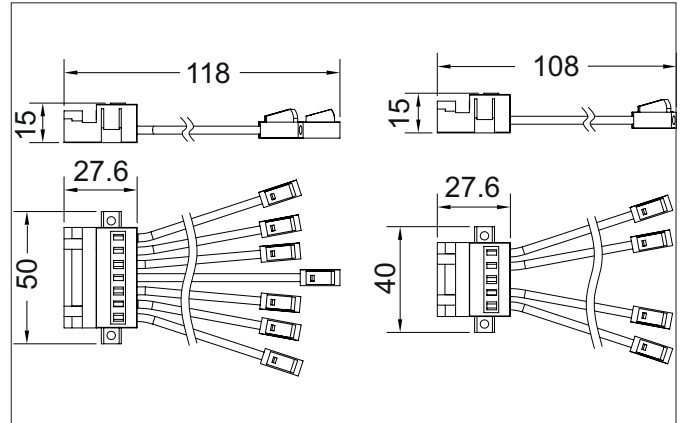




## B-LIGHT End feed connector, 11-pin

Article no. 55081000



### Tender

End feed connector, 11-pin, white. End feed plug, plug version for modular quick-mounting trunking system for system termination with plug contacting or forwarding at the end of compatible 11-pole trunking rails. Version with reverse polarity protected plug contact and continuous protective conductor routing (PE). Suitable for conductor assignment L1, L2, L3, N, PE, DIM+, DIM-, EL1, EL2, EN1, EN2. Protection class I in accordance with EN 61140. Protection class IP20 in accordance with DIN EN 60529. Area of application: Indoors., Material: Plastic, .

### Product Benefits

- Front electrical interface, plug version for defined system termination with plug contacting or forwarding at the end of the rail  
Compatible 11-pole mounting rails (L1, L2, L3, N, PE, DIM+, DIM-, EL1, EL2, EN1, EN2)
- Separate conductor routing for L1, L2, L3, N and PE, separate control conductors DIM+ / DIM- as well as additional conductors EL1, EL2, EN1, EN2 for extended system wiring
- Continuous protective conductor routing (PE) to implement protection class I in accordance with EN 61140
- Flexible routing or branching of the system energy
- No mechanical line termination
- Reliable planning for complex industrial and logistics installations
- Protection class IP20 in accordance with DIN EN 60529 for indoor use

**B-LIGHT End feed connector, 11-pin**

Article no. 55081000

Article data	
Article no.	55081000
GTIN	4255752527602
Series name	B-LIGHT
Short description	End feed connector, 11-pin
Material	Plastic
Colour	white
Length	118 mm
Width	50 mm
Height	15 mm
Weight	0.068 kg

Mounting technology	

Packing data	
Gross weight	0.077 kg
Length of packaging	150 mm
Packaging width	145 mm
Packaging height	25 mm
Disposal at end of life	<p>This product must not be disposed of with household waste. You are obliged, to dispose of such electrical waste separately.</p> <p>By disposing of electrical waste and other old or defective electronics separately, you support recycling or other forms of re-use. In that way you help to take care and to avoid that harmful substances get into the environment.</p>