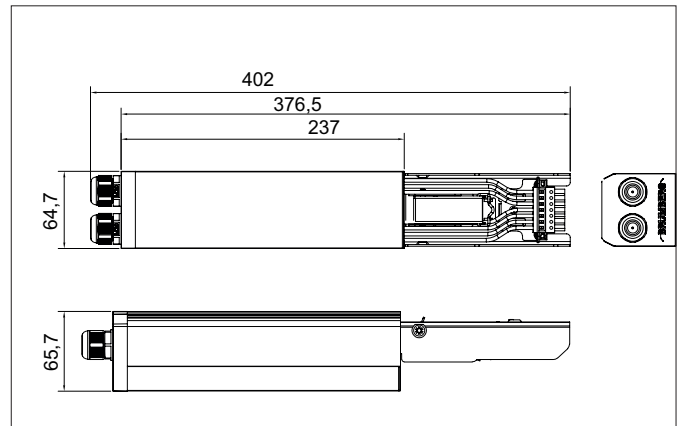


**B-LIGHT 11-pin power feed box**

Article no. 5509 1070

**Tender**

11-pin power feed box, white, Rectangular. Feed-in box for modular quick-mounting trunking system for front-side mains feed of compatible 11-pole trunking rails. Closed housing design with integrated strain relief and pre-assembled 2.5 mm² internal wiring. Electromechanical connection to the mounting rail by means of reverse polarity protected plug contact. Continuous protective conductor routing (PE) over the entire system length. Suitable for conductor assignment (L1, L2, L3, N, PE, DIM+, DIM-, EL1, EL2, EN1, EN2). Protection class I in accordance with EN 61140, protection class IP20 in accordance with DIN EN 60529, permissible ambient temperature -20 °C to +35 °C. Powder-coated surface, color white (RAL 9016)., Material: Aluminium, Degree of protection: according to DIN EN 60529 IP20, Protection class: (EN 61140) I, .

Product Benefits

- Electromechanical system connection for 11-pole mounting rails
- 11-pole conductor assignment: L1, L2, L3, N, PE, DIM+, DIM-, EL1, EL2, EN1, EN2
- Continuous protective conductor routing (PE) without interruption
- Extended conductor structure for complex system architectures
- Pre-assembled internal wiring 2.5 mm²
- Reverse polarity protected plug-in technology for safe power supply
- Suitable for switchable, dimmable and extended applications
- Integrated strain relief for safe mains connection
- Powder-coated surface, color white (RAL 9016)

**B-LIGHT 11-pin power feed box**

Article no. 55091070

| Article data | |
|-------------------|-----------------------|
| Article no. | 55091070 |
| GTIN | 4255752527527 |
| Series name | B-LIGHT |
| Short description | 11-pin power feed box |
| Material | Aluminium |
| Colour | white |
| Shape | Rectangular |
| Length | 402 mm |
| Width | 64.7 mm |
| Hight | 65.7 mm |
| Weight | 0.81 kg |
| stamp | ENEC |
| Conformance | CE, UKCA |

| Packing data | |
|-------------------------|--|
| Gross weight | 0.94 kg |
| Length of packaging | 411 mm |
| Packaging width | 72 mm |
| Packaging hight | 72 mm |
| Disposal at end of life | <p>This product must not be disposed of with household waste. You are obliged, to dispose of such electrical waste separately.</p> <p>By disposing of electrical waste and other old or defective electronics separately, you support recycling or other forms of re-use. In that way you help to take care and to avoid that harmful substances get into the environment.</p> |

Required accessories**Optional accessories**