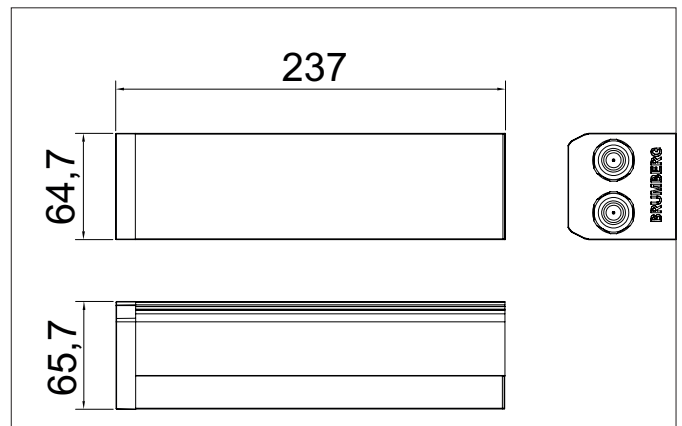
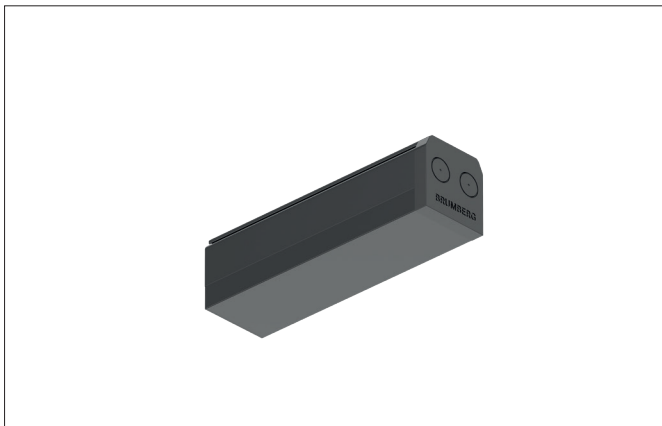



B-LIGHT End box 237 mm (empty/PE)

Article no. 55095080


Tender

End box 237 mm (empty/PE), black, Rectangular. End box for modular quick-mounting trunking system for mechanical and electrical termination of compatible trunking rails at the front. Closed housing design to cover the integrated conductor routing. Ensures continuous protective conductor routing (PE) up to the end of the line. Electromechanical connection to the trunking rail with defined termination of the conductor structure. Suitable for 7- and 11-pole SML mounting rails. Protection class I in accordance with EN 61140. Protection class IP20 in accordance with DIN EN 60529. Powder-coated surface, color black (RAL 9005). Area of application: Indoors., Material: Aluminium, Degree of protection: according to DIN EN 60529 IP20, Protection class: (EN 61140) I, .

Product Benefits

- System termination at the end
- Closed design without open conductors
- Continuous protective conductor routing (PE)
- Electromechanical connection to the SML mounting rail
- Suitable for 7- and 11-pole conductor assignment
- Clean line optics
- Increased operational safety at the end of the line
- Powder-coated surface, color black (RAL 9005)


B-LIGHT End box 237 mm (empty/PE)

Article no. 55095080

Article data	
Article no.	55095080
GTIN	4255752527534
Series name	B-LIGHT
Short description	End box 237 mm (empty/PE)
Material	Aluminium
Colour	black
Shape	Rectangular
Length	237 mm
Width	64.7 mm
Height	65.7 mm
Weight	0.287 kg
stamp	ENEC
Conformance	CE, UKCA

Mounting technology	
Further references	Indoor

Packing data	
Gross weight	0.417 kg
Length of packaging	411 mm
Packaging width	72 mm
Packaging height	72 mm
Disposal at end of life	<p>This product must not be disposed of with household waste. You are obliged, to dispose of such electrical waste separately.</p> <p>By disposing of electrical waste and other old or defective electronics separately, you support recycling or other forms of re-use. In that way you help to take care and to avoid that harmful substances get into the environment.</p>