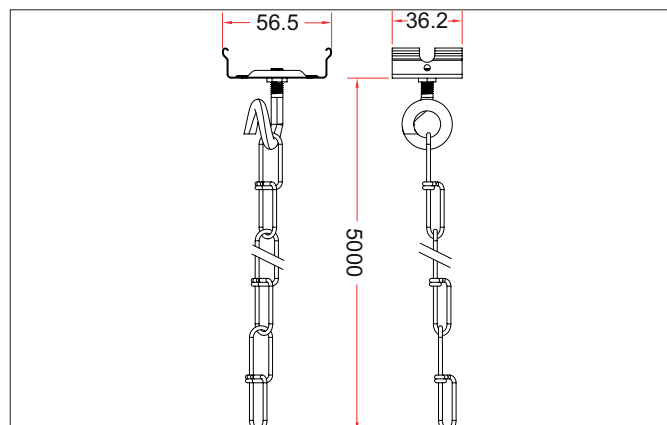
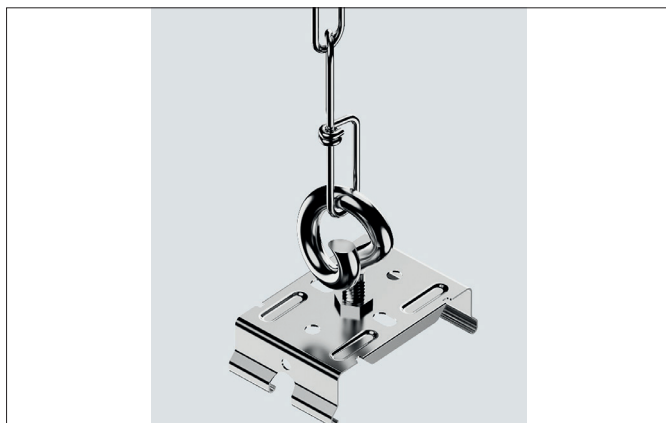




B-LIGHT Chain suspension 5 m

Article no. 55055000



Tender

Chain suspension 5 m, stainless steel. Chain suspension 5 m consisting of suspension set with chain 5,000 mm made of galvanized steel and stainless steel fixing bracket, for suspended mounting of trunking in the modular quick-assembly continuous-row system. Mechanical accessories for defined height positioning and alignment., Material: Stainless steel, .

Product Benefits

- Suspension set with chain, defined suspension length 5,000 mm
- Height adjustment via chain links with flexible fine adjustment via links (robust, uncomplicated), for robust, permanent suspension of trunking for the quick-mounting continuous-row lighting system
- Advantageous for varying support structure conditions
- Particularly suitable for industrial environments
- Supports uniform line alignment and reproducible mounting heights
- Materials: Galvanized steel chain (5,000 mm) and stainless steel mounting bracket for corrosion-resistant, durable corrosion-resistant, durable suspension in indoor installations

Article data	
Article no.	55055000
GTIN	4255752527749
Series name	B-LIGHT
Short description	Chain suspension 5 m
Material	Stainless steel
Colour	stainless steel
Length	56.5 mm
Width	36.2 mm
Hight	5,000 mm
Weight	0.55 kg

**B-LIGHT Chain suspension 5 m**
Article no. 55055000

Mounting technology	
Packing data	
Gross weight	0.6 kg
Length of packaging	200 mm
Packaging width	120 mm
Packaging height	50 mm
Disposal at end of life	<p>This product must not be disposed of with household waste. You are obliged, to dispose of such electrical waste separately.</p> <p>By disposing of electrical waste and other old or defective electronics separately, you support recycling or other forms of re-use. In that way you help to take care and to avoid that harmful substances get into the environment.</p>