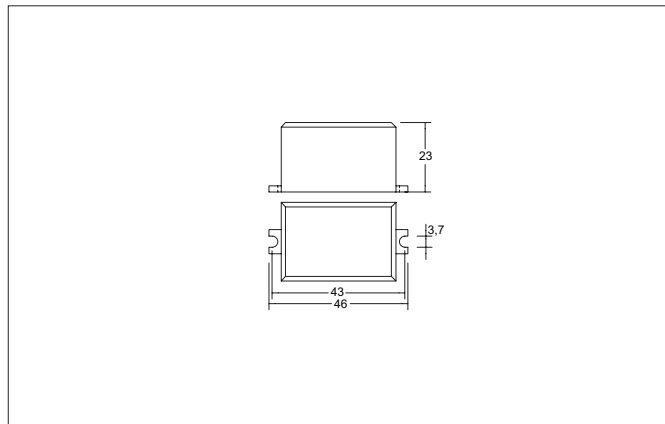
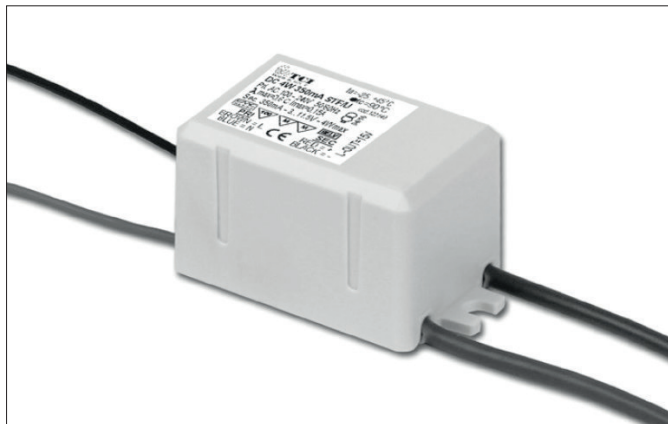


LED converter 250 mA, max. 3 W, for recessed floor lights with LED

Article no. 17802000

**Tender**

LED converter 250 mA, max. 3 W, for recessed floor lights with LED, white, Rectangular. Material: Plastic, Degree of protection: according to DIN EN 60529 IP20, Protection class: (EN 61140) II, Voltage: 230V AC 50Hz, Power: 3 W, Dimmable: No, Type of dimming: on/off.

Article data	
Article no.	17802000
GTIN	4255752528531
Short description	LED converter 250 mA, max. 3 W, for recessed floor lights with LED
Material	Plastic
Colour	white
Shape	Rectangular
Length	46.5 mm
Width	26 mm
Hight	23 mm
Weight	0.036 kg
stamp	ENEC 05, MM
Conformance	CE, UKCA

LED converter 250 mA, max. 3 W, for recessed floor lights with LED

Article no. 17802000

Operating technology of driver	
AC nominal voltage min	90 V
AC nominal voltage max	264 V
Frequency min	50 Hz
Frequency max	60 Hz
Protection class	II
Degree of protection	IP20
Power	3 W
Output_ripple_current	3
Starting current	20 A, 170 µs
Suitable for emergency lighting	No
measure point (tc)	80 °C
Version	ohne Konfektionierung
Power factor	0.6
max. no. lights on B16 A	50
Output voltage max	11.50 V
Output voltage min.	3.00 V
Stroboscopic effect value SVM	.40
Control	on/off
Connection type-primary	Cable
Connection type-secondary	Open ends
Environment temperature (ta)	-20 °C up to +40 °C
Measure point (tc)	max. 80 °C
Output current	250 mA

Packing data	
Gross weight	0.05 kg
Length of packaging	70 mm
Packaging width	45 mm
Packaging height	81 mm
Disposal at end of life	<p>This product must not be disposed of with household waste. You are obliged, to dispose of such electrical waste separately.</p> <p>By disposing of electrical waste and other old or defective electronics separately, you support recycling or other forms of re-use. In that way you help to take care and to avoid that harmful substances get into the environment.</p>

Optional accessories