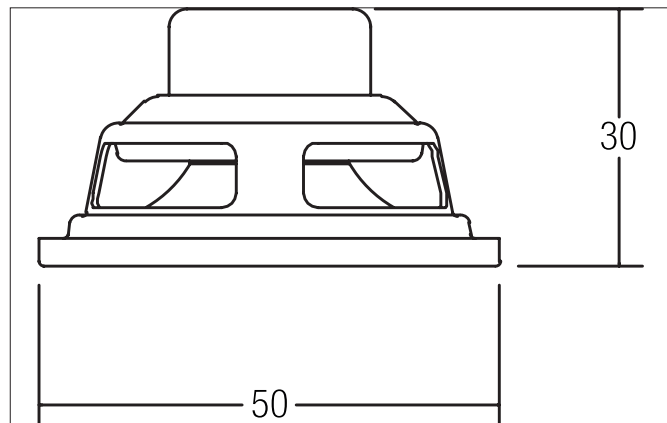
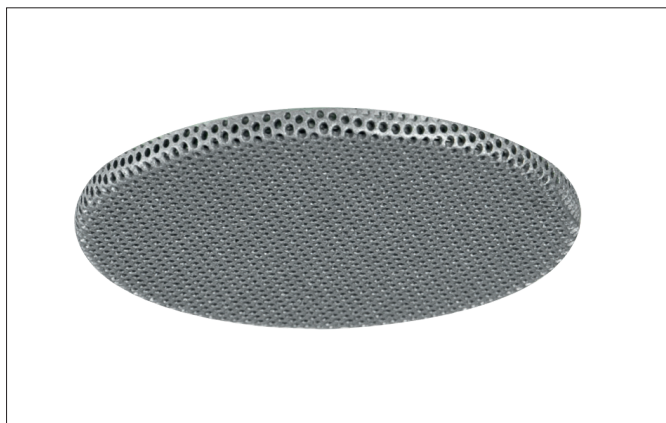


NONAH Speaker insert Ø 50 mm

Article no. 3096.02

Light.
For Generations.**Tender**

Speaker insert Ø 50 mm, glossy chrome, Round. In a compact design, for installation in tool-less rapid assembly systems. Nominal / music load capacity: 3 / 4 W, impedance: 20 Ohm. Up to 5 speakers can be connected in parallel to a channel of a HiFi amplifier. Sound pressure level: 1 W / 1 m: 82 dB (at nominal output of 87 dB), Transmission range (-3 db): 200 - 16,000 Hz, Transmission range (-10 db): 150 - 20,000 Hz, Model: Perforated plate cover in white (.07) or chrome-metal-plated (.02), Net weight: 0.06 kg. Connection using 2-core cable with connecting terminals. Usable in most LV halogen spots for QR-CBC5 1. Material: Steel Mounting method: Recessed mounting, Place of installation: Ceiling-mounted, Material: Perforated plate, Degree of protection: according to DIN EN 60529 IP20.

Article data	
Article no.	3096.02
GTIN	4250047738695
Series name	NONAH
Short description	Speaker insert Ø 50 mm
Material	Perforated plate
Colour	White
Type of surface	Glossy
Shape	Round
Outer diameter	50 mm
Installation depth	30 mm
Hight	30 mm
Weight	0.047 kg
Conformance	CE, UKCA

NONAH Speaker insert Ø 50 mm

Article no. 3096.02

Light.
For Generations.

Packing data	
Gross weight	0.063 kg
Length of packaging	70 mm
Packaging width	47 mm
Packaging height	81 mm
Disposal at end of life	<p>This product must not be disposed of with household waste. You are obliged, to dispose of such electrical waste separately.</p> <p>By disposing of electrical waste and other old or defective electronics separately, you support recycling or other forms of re-use. In that way you help to take care and to avoid that harmful substances get into the environment.</p>