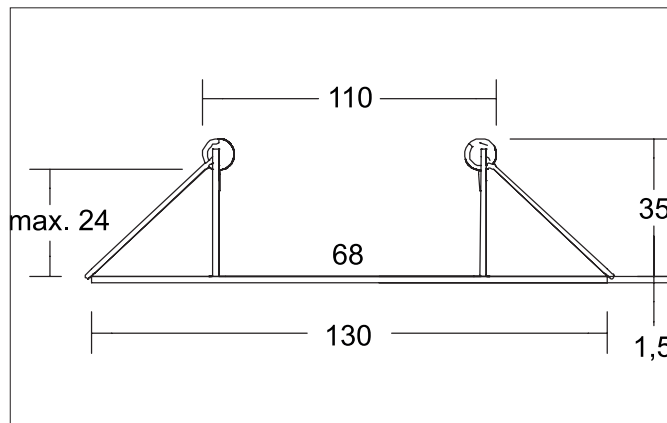



**Reducing ring D 130 mm, for luminaire cut-out size 68 mm**

Article no. 81202070


**Tender**

Reducing ring D 130 mm, for luminaire cut-out size 68 mm, white glossy. Material: Steel, .

**Product Benefits**

- Suitable for the BB03, BB18, BB33, BB34, BB35 series, TIRREL-R, TIRRELdeep, SEVEN-R, LAKIL-R, PAYTON-R, INDIWO68-R, JARRID-R, DISC and BRONNY.

Article data	
Article no.	81202070
GTIN	4251433999010
Short description	Reducing ring D 130 mm, for luminaire cut-out size 68 mm
Material	Steel
Colour	white glossy
Type of surface	Glossy
Outer diameter	130 mm
Weight	0.078 kg
Conformance	CE, UKCA

**Reducing ring D 130 mm, for luminaire cut-out size 68 mm**  
Article no. 81202070

Packing data	
Gross weight	0.109 kg
Length of packaging	135 mm
Packaging width	45 mm
Packaging height	135 mm
Disposal at end of life	<p>This product must not be disposed of with household waste. You are obliged, to dispose of such electrical waste separately.</p> <p>By disposing of electrical waste and other old or defective electronics separately, you support recycling or other forms of re-use. In that way you help to take care and to avoid that harmful substances get into the environment.</p>