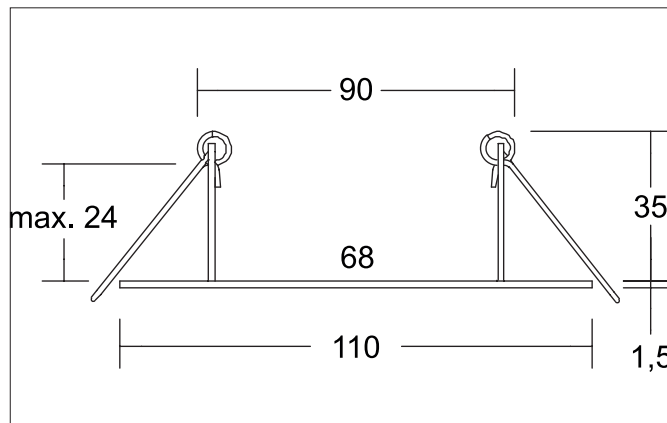



**BRENA / BB13 Reducing ring D 110 mm, for luminaire cut-out size 68 mm**

Article no. 81204170


**Tender**

Reducing ring D = 110 mm, for luminaire cut-out dimension = 68 mm, for on-site opening of 90 mm, white structure.

Article data	
Article no.	81204170
GTIN	4251433999287
Series name	BRENA / BB13
Short description	Reducing ring D 110 mm, for luminaire cut-out size 68 mm
Material	Steel
Colour	white structure
Type of surface	Structure
Weight	0.092 kg
Conformance	CE, UKCA

Packing data	
Gross weight	0.148 kg
Length of packaging	130 mm
Packaging width	130 mm
Packaging height	50 mm
Disposal at end of life	<p>This product must not be disposed of with household waste. You are obliged, to dispose of such electrical waste separately.</p> <p>By disposing of electrical waste and other old or defective electronics separately, you support recycling or other forms of re-use. In that way you help to take care and to avoid that harmful substances get into the environment.</p>