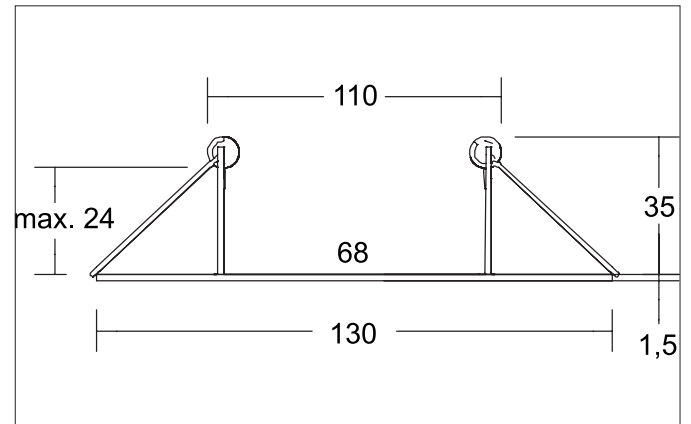



ITANSA-R Reducing ring D = 130 mm, for luminaire cut-out dimension = 68 mm

Article no. 81205280


Tender

Reducing ring D = 130 mm, for luminaire cut-out dimension = 68 mm, for on-site opening of 110 mm, matt black.

| Article data | |
|-------------------|---|
| Article no. | 81205280 |
| GTIN | 4251433999447 |
| Series name | ITANSA-R |
| Short description | Reducing ring D = 130 mm, for luminaire cut-out dimension = 68 mm |
| Material | Stainless steel V4A |
| Colour | black matt |
| Type of surface | Matt |
| Weight | 0.134 kg |
| Conformance | CE, UKCA |

| Packing data | |
|-------------------------|--|
| Gross weight | 0.199 kg |
| Length of packaging | 155 mm |
| Packaging width | 155 mm |
| Packaging height | 50 mm |
| Disposal at end of life | <p>This product must not be disposed of with household waste. You are obliged, to dispose of such electrical waste separately.</p> <p>By disposing of electrical waste and other old or defective electronics separately, you support recycling or other forms of re-use. In that way you help to take care and to avoid that harmful substances get into the environment.</p> |