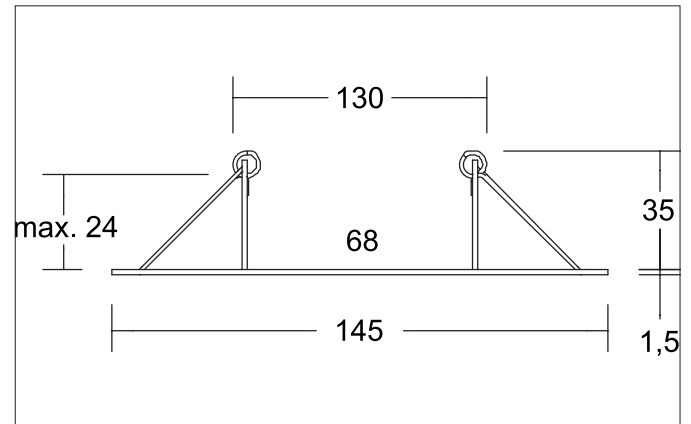



BRENA / BB13 Reducing ring D 145 mm, for luminaire cut-out size 68 mm

Article no. 81206150


Tender

Reducing ring D = 145 mm, for luminaire cut-out dimension = 68 mm, for on-site opening of 130 mm, matt nickel.

Article data	
Article no.	81206150
GTIN	4251433999508
Series name	BRENA / BB13
Short description	Reducing ring D 145 mm, for luminaire cut-out size 68 mm
Material	Steel
Colour	nickel matt
Type of surface	Matt
Weight	0.174 kg
Conformance	CE, UKCA

Packing data	
Gross weight	0.244 kg
Length of packaging	175 mm
Packaging width	175 mm
Packaging height	50 mm
Disposal at end of life	<p>This product must not be disposed of with household waste. You are obliged, to dispose of such electrical waste separately.</p> <p>By disposing of electrical waste and other old or defective electronics separately, you support recycling or other forms of re-use. In that way you help to take care and to avoid that harmful substances get into the environment.</p>