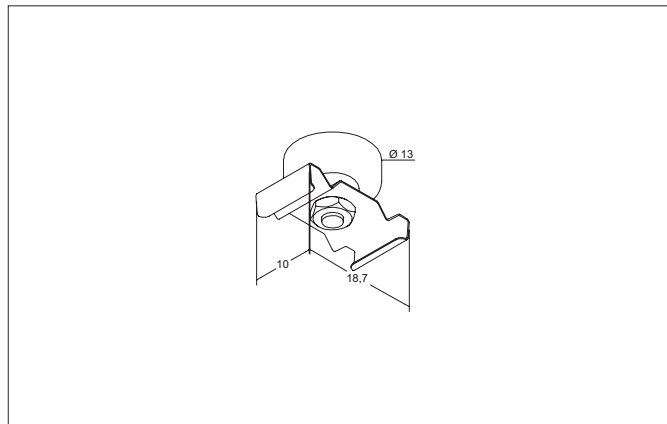




LINEO Magnets for LINEO 549 mm (T8)

Article no. 81084000



Tender

Magnets for LINEO 549 mm (T8), stainless steel. Magnet set for LINEO T5/T8 refurbishment luminaires for tool-free mounting in existing luminaires. Version with 2 magnets (each with approx. 3.5–4 kg holding force) and 9 mm PC spacer sleeve to ensure the T8 installation height or defined mounting level. Max. permissible total load 9 kg (set). Dimensions (per magnet): approx. 18.7 × 13 × 11 mm. Use as an optional accessory for T8 retrofit installation., Material: Stainless steel, .

Product Benefits

- Magnet set for LINEO T5/T8 refurbishment luminaires for tool-free attachment in existing luminaires.
- Version with 2 magnets (each with approx. 3.5–4 kg holding force) and 9 mm PC spacer sleeve to ensure the T8 installation height or defined mounting level.
- Max. permissible total load 9 kg (set)
- Dimensions (per magnet): L10 × B18,7 × H11 mm, Ø13 mm
- Use as optional accessory for T8 retrofit installation.

Article data	
Article no.	81084000
GTIN	4255752528302
Series name	LINEO
Short description	Magnets for LINEO 549 mm (T8)
Material	Stainless steel
Colour	stainless steel
Outer diameter	13 mm
Length	18.7 mm
Width	10 mm
Hight	11 mm
Weight	0.01 kg

Mounting technology

All technical data as well as, weight and measurements are based on rated values and had been carefully prepared. We reserve the right to make technical changes which are important in progressing. Product pictures are examples and can vary from the original. Subject to errors.

Date 19.02.2026 Orders are placed under our general terms and conditions under <https://www.brumberg.com/en/terms-and-conditions/general-terms-and-conditions-of-sale/>

**LINEO Magnets for LINEO 549 mm (T8)**

Article no. 81084000

Packing data	
Gross weight	0.011 kg
Length of packaging	65 mm
Packaging width	45 mm
Packaging height	25 mm
Disposal at end of life	<p>This product must not be disposed of with household waste. You are obliged, to dispose of such electrical waste separately.</p> <p>By disposing of electrical waste and other old or defective electronics separately, you support recycling or other forms of re-use. In that way you help to take care and to avoid that harmful substances get into the environment.</p>

Optional accessories