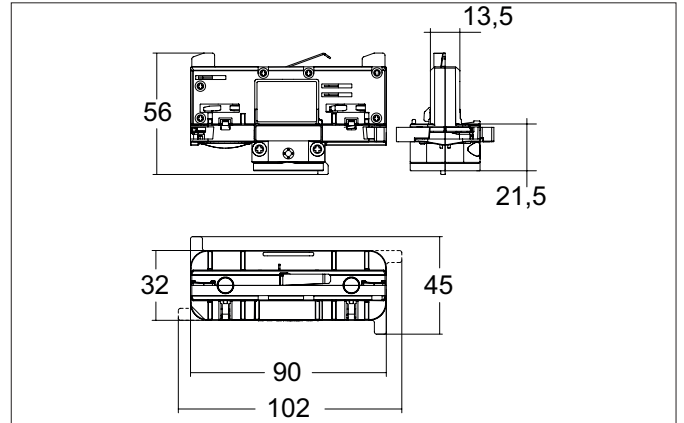




## ONETRACK 3-phase track adapter with cable outlet, DALI

Article no. 87138080



### Tender

3-phase track adapter with cable outlet, DALI, black, Angular. Conductor rail mounting Mounting method: Conductor rail mounting, .

| Article data      |   |
|-------------------|---|
| Article no.       | 87138080                                      |
| GTIN              | 4251433990420                                 |
| Series name       | ONETRACK                                      |
| Short description | 3-phase track adapter with cable outlet, DALI |
| Colour            | black   |
| Shape             | Angular                                       |
| Length            | 102 mm  |
| Width             | 45 mm   |
| Hight             | 56 mm   |
| Weight            | N.N.  |
| Conformance       | CE, UKCA                                      |

| Packing data            |   |
|-------------------------|---|
| Gross weight            | 0.002 kg  |
| Length of packaging     | 250 mm  |
| Packaging width         | 250 mm  |
| Packaging hight         | 250 mm  |
| Disposal at end of life | This product must not be disposed of with household waste. You are obliged, to dispose of such electrical waste separately.<br>By disposing of electrical waste and other old or defective electronics separately, you support recycling or other forms of re-use. In that way you help to take care and to avoid that harmful substances get into the environment. |