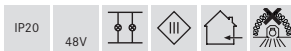
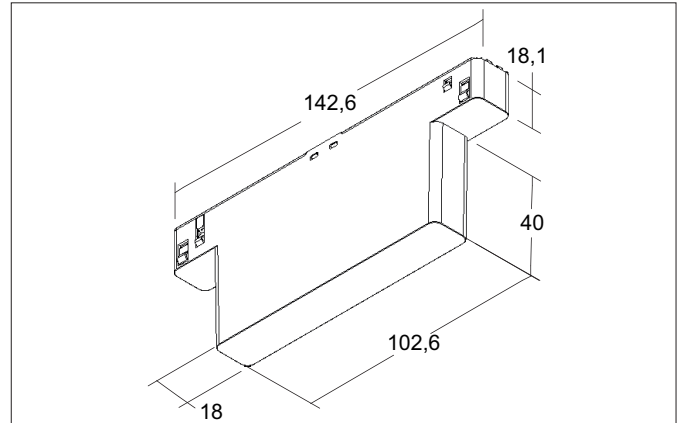




PEPA CASAMBI-DALI-Gateway zu 48 V-Schienen

Article no. 17499000



Tender

CASAMBI-DALI-Gateway zu 48 V-Schienen, black.

Article data	
Article no.	17499000
GTIN	4255752524212
Series name	PEPA
Short description	CASAMBI-DALI-Gateway zu 48 V-Schienen
Material	Plastic
Colour	Black
Length	142.6 mm
Width	18 mm
Height	58.1 mm
Weight	0.058 kg

Operating technology of driver	
Protection class	III
Degree of protection	IP20
Output voltage max	48.00 V
Output voltage min.	24.00 V
Control	Casambi
Environment temperature (ta)	-20 °C bis +40 °C


PEPA CASAMBI-DALI-Gateway zu 48 V-Schienen

Article no. 17499000

Packing data	
Gross weight	0.081 kg
Length of packaging	200 mm
Packaging width	125 mm
Packaging height	20 mm
Disposal at end of life	This product must not be disposed of with household waste. You are obliged, to dispose of such electrical waste separately. By disposing of electrical waste and other old or defective electronics separately, you support recycling or other forms of re-use. In that way you help to take care and to avoid that harmful substances get into the environment.

Required accessories	
Article no.: 88487180 Flache 48 V-Stromschiene, Länge: 1.000 mm Dimensions: 1,000 mm x 26.2 mm x 21 mm https://www.brumberg.com/fileadmin/products/Datenblatt_88487180_2021_DE.pdf	
Article no.: 88487280 Flache 48 V-Stromschiene, Länge: 2.000 mm Dimensions: 2,000 mm x 26.2 mm x 21 mm https://www.brumberg.com/fileadmin/products/Datenblatt_88487280_2021_DE.pdf	
Article no.: 88487380 Flache 48 V-Stromschiene, Länge: 3.000 mm Dimensions: 3,000 mm x 26.2 mm x 21 mm https://www.brumberg.com/fileadmin/products/Datenblatt_88487380_2021_DE.pdf	
Article no.: 88488180 Hohe 48 V-Stromschiene, Länge: 1.000 mm Dimensions: 1,000 mm x 26.2 mm x 53 mm https://www.brumberg.com/fileadmin/products/Datenblatt_88488180_2021_DE.pdf	
Article no.: 88488280 Hohe 48 V-Stromschiene, Länge: 2.000 mm Dimensions: 2,000 mm x 26.2 mm x 53 mm https://www.brumberg.com/fileadmin/products/Datenblatt_88488280_2021_DE.pdf	
Article no.: 88488380 Hohe 48 V-Stromschiene, Länge: 3.000 mm Dimensions: 3,000 mm x 26.2 mm x 53 mm https://www.brumberg.com/fileadmin/products/Datenblatt_88488380_2021_DE.pdf	
Article no.: 17480100 LED-Konverter zu 48 V-Schienensystem, DALI-Signal wird durchgeschliffen und muss sep. zugeführt werden Power: 1 - 100 W Dimensions: 298 mm x 16 mm x 19 mm https://www.brumberg.com/fileadmin/products/Datenblatt_17480100_2021_DE.pdf	
Article no.: 17480200 LED-Konverter zu 48 V-Schienensystem, DALI-Signal wird durchgeschliffen und muss sep. zugeführt werden Power: 1 - 250 W Dimensions: 268 mm x 22 mm x 43.5 mm https://www.brumberg.com/fileadmin/products/Datenblatt_17480200_2021_DE.pdf	

Compatible Driver						
Article no.	Power min	Power	Control	Length	Width	Height
17480100	1 W	100 W	on/off	298 mm	16 mm	19 mm
17480200	1 W	250 W	on/off	268 mm	22 mm	43.5 mm



PEPA CASAMBI-DALI-Gateway zu 48 V-Schienen
Article no. 17499000