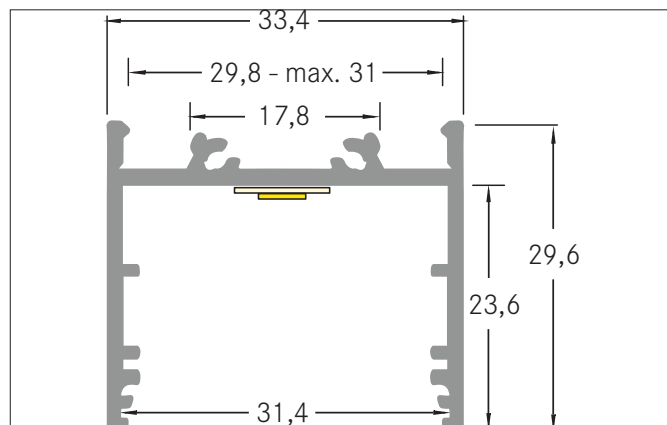




P30-30 Segment LED surface-mounted profile

Article no. 73606080



Tender

Segment LED surface-mounted profile, black anodized. For optimal attachment of the profile this holders are suitable 53035000. For connecting of two profiles is the connector 53004000 optimal suited. With the use of profile covers 73404000 73404070 73404080 the additional mechanical protection and optimal light distribution can be achieved. The associated end cap set is under 53024080 available. Mounting method: Surface mounting, Material: Aluminium, dimensions profile: length: 100 mm x width: 33,4 mm x height: 29,6 mm.

Product Benefits

- Large mounting profile.
- Up to 4 meters long in one piece.
(For deliveries over 2,000 mm: please enquire about delivery costs separately)
- Matching covers in transparent, opal and black available.
- Available in anodized aluminium, white and black.
- Matching end caps available in anodized aluminium, white and black.

Article data	
Article no.	73606080
GTIN	4251433970989
Series name	P30-30
Short description	Segment LED surface-mounted profile
Material	Aluminium
Colour	black anodized
Length	100 mm
Width	33.4 mm
Hight	29.6 mm
Weight	0.041 kg
Conformance	CE, UKCA


P30-30 Segment LED surface-mounted profile

Article no. 73606080

Packing data	
Gross weight	0.06 kg
Length of packaging	105 mm
Packaging width	80 mm
Packaging height	80 mm
Note	Please note that the materials aluminium and PMMA or PC can expand differently with changes in temperature! At a temperature change of 10°C, the coefficient of expansion is approx. aluminium is approx. 0.7mm per metre, for plastic approx. 1.5mm per metre. This is not a defect in the product, this is a normal physical process.
Disposal at end of life	This product must not be disposed of with household waste. You are obliged, to dispose of such electrical waste separately. By disposing of electrical waste and other old or defective electronics separately, you support recycling or other forms of re-use. In that way you help to take care and to avoid that harmful substances get into the environment.