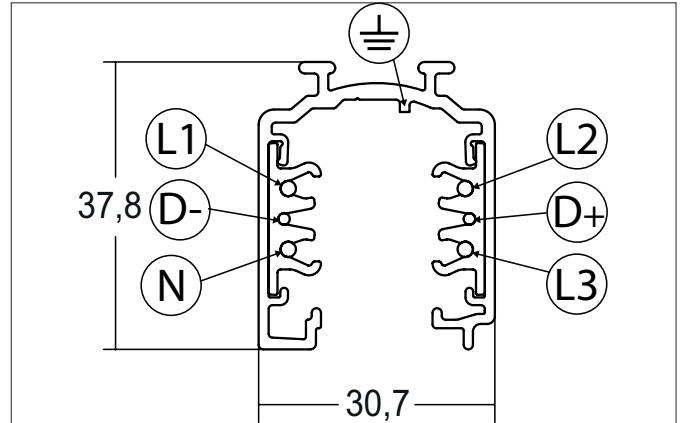
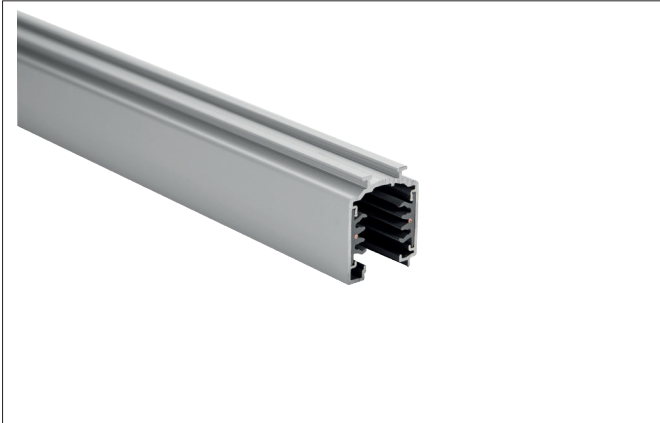




**ONETRACK 3-phase power track ONETRACK DALI / switchable,
length 3,000 mm**
Article no. 87163250



Tender

3-phase power track ONETRACK DALI / switchable, length 3,000 mm, silver, Rectangular. Compact design for harmonious implementation in well-rounded architectural room concepts. Mounting method: Surface mounting, Material: Aluminium, Degree of protection: according to DIN EN 60529 IP20, Protection class: (EN 61140) I, Voltage: 230V AC 50Hz, .

Article data	
Article no.	87163250
GTIN	4251433979906
Series name	ONETRACK
Short description	3-phase power track ONETRACK DALI / switchable, length 3,000 mm
Material	Aluminium
Colour	silver
Type of surface	Glossy
Shape	Rectangular
Length	3,000 mm
Width	36 mm
Hight	33 mm
Weight	2.44 kg
Conformance	CE, UKCA



**ONETRACK 3-phase power track ONETRACK DALI / switchable,
length 3,000 mm**
Article no. 87163250

Packing data	
Gross weight	3.2 kg
Length of packaging	3,060 mm
Packaging width	55 mm
Packaging height	55 mm
Disposal at end of life	<p>This product must not be disposed of with household waste. You are obliged, to dispose of such electrical waste separately.</p> <p>By disposing of electrical waste and other old or defective electronics separately, you support recycling or other forms of re-use. In that way you help to take care and to avoid that harmful substances get into the environment.</p>