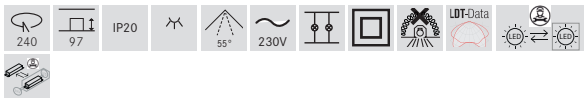
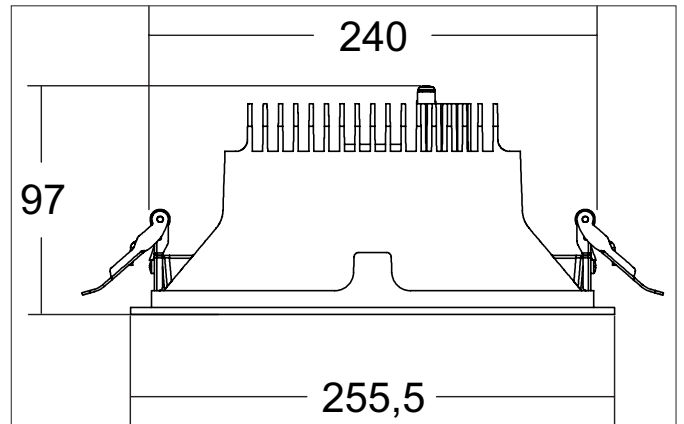




APOLLO MEGA LED recessed downlight, round

Article no. 41615173



Tender

LED recessed downlight, round, Round. Toolless ceiling installation by installation springs. Ceiling cut-out Ø 240 mm, Installation depth 97 mm, Outer diameter 255,5 mm, Weight 0,85 kg, Reflector silver with rotationssymmetrical, deep, wide distributed light intensity. Cover plastic, transparent Luminous flux 3.192 lm, UGR < 19, Power 1 x 24,5 W, Light colour warm white, Correlated color temperature (CCT) 3.000 K, Colour rendering index CRI > 90, Rated life time L80/B10 at 25 °C: 50.000 h, Rated life time L80/B50 at 25 °C: 50.000 h, Housing material: Aluminium / Glass / Plastic, Colour: white structure, Permissible ambient temperature (ta): -20 °C up to +25 °C, Protection class (EN 61140): II, Degree of protection (DIN EN 60529): IP20. With electronic driver, on/off switchable.

| Article data | |
|--------------------|-------------------------------|
| Article no. | 41615173 |
| GTIN | 4251433991014 |
| Series name | APOLLO MEGA |
| Short description | LED recessed downlight, round |
| Material | Aluminium / Glass / Plastic |
| Colour | white structure |
| Type of surface | Structure |
| Shape | Round |
| Outer diameter | 255.5 mm |
| Built-in diameter | 240 mm |
| Installation depth | 97 mm |
| Weight | 0.85 kg |
| D licence plate | No |
| Conformance | CE, UKCA |


APOLLO MEGA LED recessed downlight, round

Article no. 41615173

| Lighting technology | |
|------------------------------|-----------|
| Colour temperature | 3.000 K |
| Light colour | white |
| Light output | Direct |
| Luminous flux | 3,192 lm |
| System efficiency | 130 lm/W |
| Colour rendering | CRI > 90 |
| Reflector | Faceted |
| Reflector colour | silver |
| Beam angle | 55° |
| Glare evaluation | UGR < 19 |
| Light sharing | Symmetric |
| Adjustable color temperature | No |

| Operating technology of the luminaire | |
|---------------------------------------|--|
| System output | 24.5 W |
| Voltage type | AC |
| AC nominal voltage max | 230 V |
| Frequency max | 50 Hz |
| Lamp | LED |
| Lamp holder | Without fitting |
| Protection class | II |
| Degree of protection | IP20 |
| Control | on/off |
| Bulb change possible | The light source of this luminaire may only be replaced by the manufacturer or a service technician commissioned by him or a similarly qualified person. |
| Rated life time L80/B10 at 25 °C | 50.000 h |
| Rated life time L80/B50 at 25 °C | 50.000 h |
| Energy efficiency class | not required |

| Mounting technology | |
|-----------------------------|---|
| Mounting method | Recessed mounting |
| Place of installation | Ceiling-mounted |
| Adjustability | Not adjustable |
| Further references | No cover with thermal insulation material |
| Material cover | Plastic, transparent |
| Suitable for through-wiring | No |

| Packing data | |
|-------------------------|---|
| Gross weight | 1.01 kg |
| Length of packaging | 205 mm |
| Packaging width | 205 mm |
| Packaging height | 90 mm |
| Disposal at end of life | This product must not be disposed of with household waste. You are obliged, to dispose of such electrical waste separately. By disposing of electrical waste and other old or defective electronics separately, you support recycling or other forms of re-use. In that way you help to take care and to avoid that harmful substances get into the environment. |