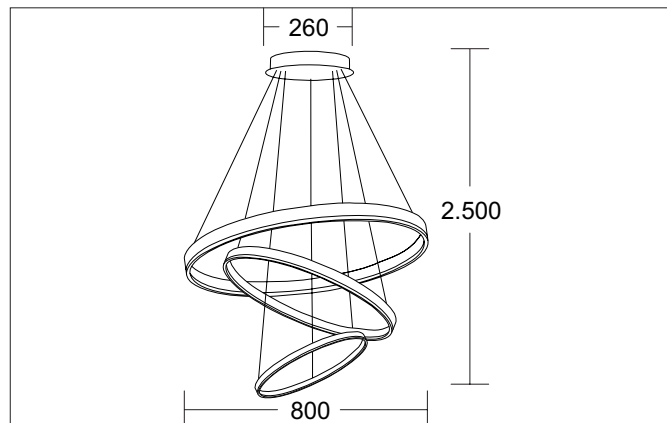



GRAHAM LED pendant light, switchable

Article no. 57441183


Tender

LED pendant light, switchable, Round. Luminaire diameter 800.0 mm, Height 35.0 mm, for pendulum mounting. Pendulum length max. 2500.0 mm Weight 4.6 kg, with rotationssymmetrical, deep, wide distributed light intensity. Cover plastic, opal Luminous flux 5.600 lm, Power 1 x 120 W, Light colour warm white, Correlated color temperature (CCT) 3.000 K, Colour rendering index CRI > 80, Rated life time L70/B50 at 25 °C: 50.000 h, Rated life time L80/B50 at 25 °C: 50.000 h, Housing material: Aluminium / Acrylic, Colour: black structure, Permissible ambient temperature (ta): -20 °C up to +25 °C, Protection class (EN 61140): I, Degree of protection (DIN EN 60529): IP20. With electronic driver, Trailing-edge phase dimmable.

Product Benefits

- Decorative 3-ring pendant light with phase-dimmable converter.
- Ring diameter 800 mm, 600 mm and 400 mm.
- Pendant length of 2,500 mm can be shortened on site.
- Matching 1-ring pendant luminaire (57440183) available - for example for standard areas, for example.



GRAHAM LED pendant light, switchable

Article no. 57441183

Article data	
Article no.	57441183
GTIN	4255752522843
Series name	GRAHAM
Short description	LED pendant light, switchable
Material	Aluminium / Acrylic
Colour	black structure
Type of surface	Structure
Shape	Round
Outer diameter	800 mm
Height	35 mm
Scope of delivery	incl. converter for connection to 230 V mains voltage and three suspended light rings
Weight	4.6 kg
D licence plate	No
Conformance	CE, UKCA

Lighting technology	
Colour temperature	3.000 K
Light colour	white
Light output	Direct
Luminous flux	5,600 lm
System efficiency	47 lm/W
McAdam-Step	McAdam-Step 3
Colour rendering	CRI > 80
Reflector	Without
Beam angle	110°
Light sharing	Symmetric
Adjustable color temperature	No

Operating technology of the luminaire	
System output	120 W
Voltage type	AC
AC nominal voltage max	230 V
Frequency max	50 Hz
Lamp	LED
Protection class	I
Degree of protection	IP20
Dimmable	Yes
Control	Trailing-edge phase
Bulb change possible	The light source of this luminaire may only be replaced by the manufacturer or a service technician commissioned by him or a similarly qualified person.
Rated life time L70/B50 at 25 °C	50,000 h
Rated life time L80/B50 at 25 °C	50.000 h
Energy efficiency class	not required

Mounting technology	
Mounting method	Surface mounting
Place of installation	Ceiling-mounted
Adjustability	Not adjustable
Pendulum length max.	2,500 mm
Material cover	Plastic, opal



GRAHAM LED pendant light, switchable

Article no. 57441183

Packing data	
Gross weight	8.05 kg
Length of packaging	840 mm
Packaging width	840 mm
Packaging height	85 mm
Disposal at end of life	<p>This product must not be disposed of with household waste. You are obliged, to dispose of such electrical waste separately.</p> <p>By disposing of electrical waste and other old or defective electronics separately, you support recycling or other forms of re-use. In that way you help to take care and to avoid that harmful substances get into the environment.</p>